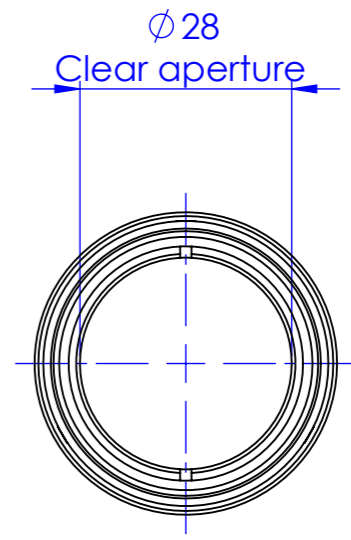
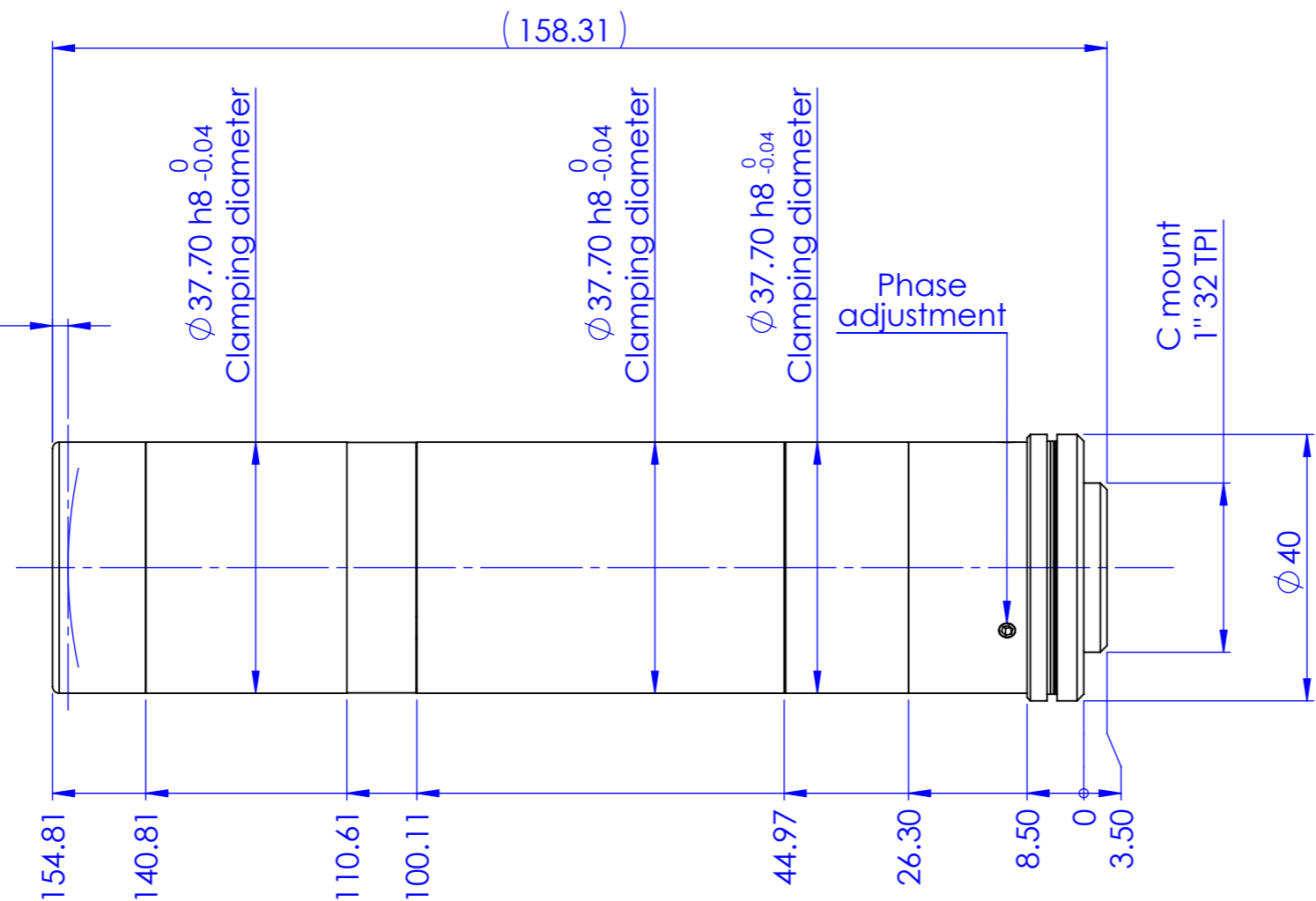


2.34
From lens
to chassis edge



Material		N.A.		Mass		386 g		Scale		1:1			
Surface treatment		N.A.		Part No.		CO22253							
Geometrical tolerance (ISO 2768-2)								Class	K	Undimensioned bevels		0.5x45°	
Linear tolerance (ISO 2768-2)								Class	m	Undimensioned radii		R 0.5	
0.5 ±3		>3÷ 6		>6÷ 30		>30÷ 120		>120 ±400		>400÷ 1000		>1000 ±2000	
±0.1		±0.1		±0.2		±0.3		±0.5		±0.8		±1.2	
		Date		Name		Drawing No.		Sheet		<i>Secret and confidential - All rights reserved - No copy, dissemination or circulation is allowed unless specifically authorized in writing by OPTO ENGINEERING S.r.l. - Any violation shall be legally prosecuted.</i>			
		Designed		Santini		DP 22253-A		1/1					
		Drawn		Santini									
		Checked											
OPTO ENGINEERING S.r.l. - Mantova, Italy - Tel. +39 0376699111 - www.opto-e.com													

all dimensions are in mm