

1 2 3 4 5 6 7 8

D

C

B

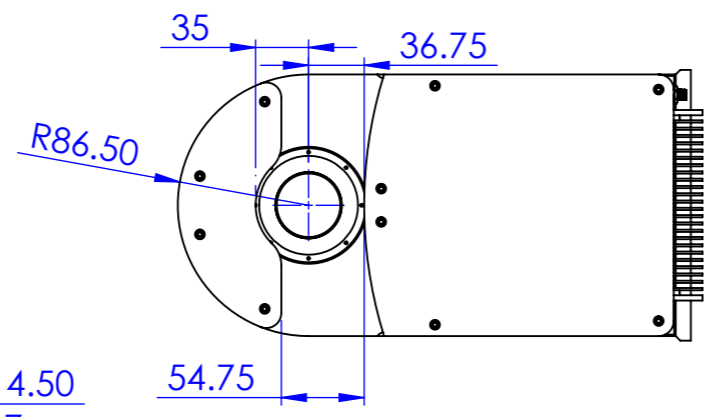
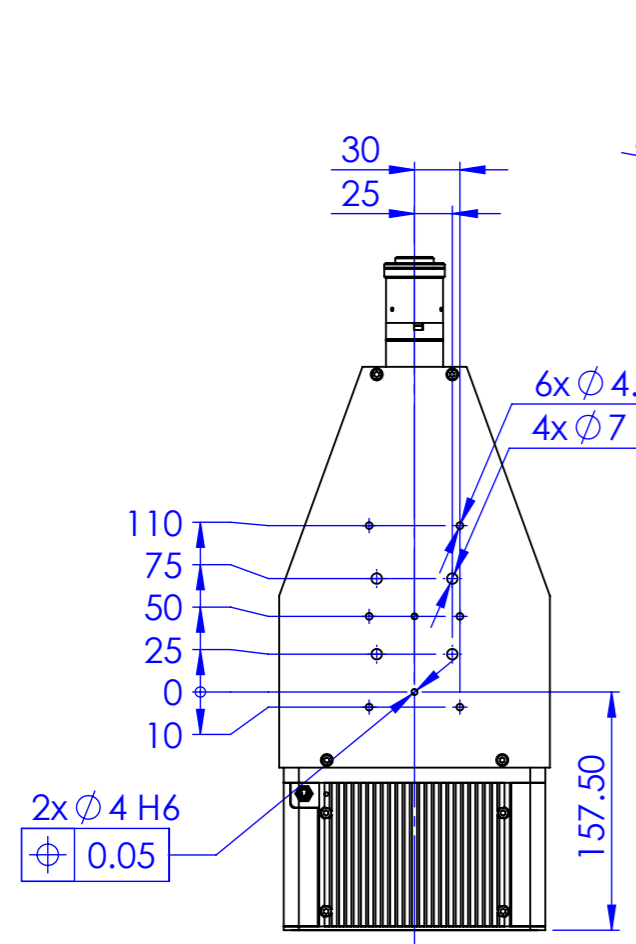
A

D

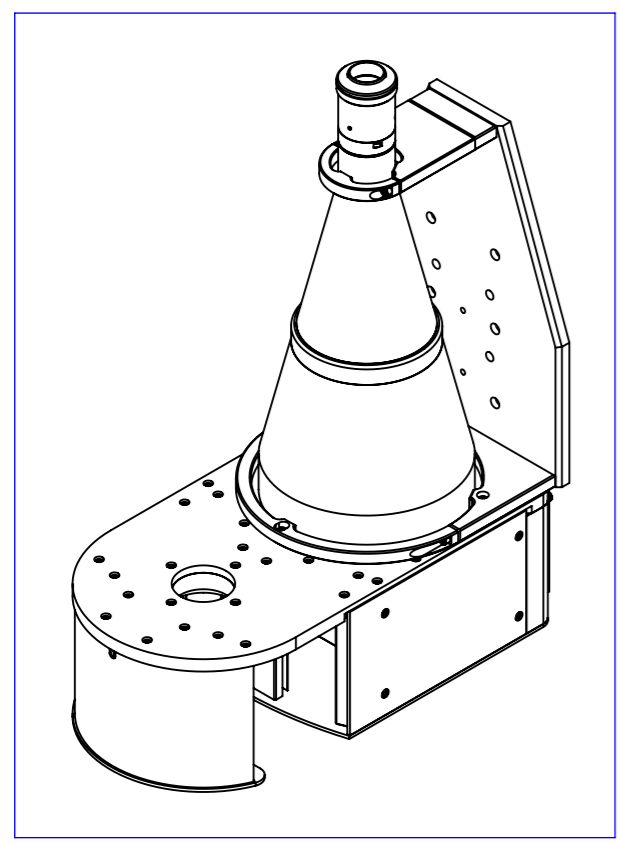
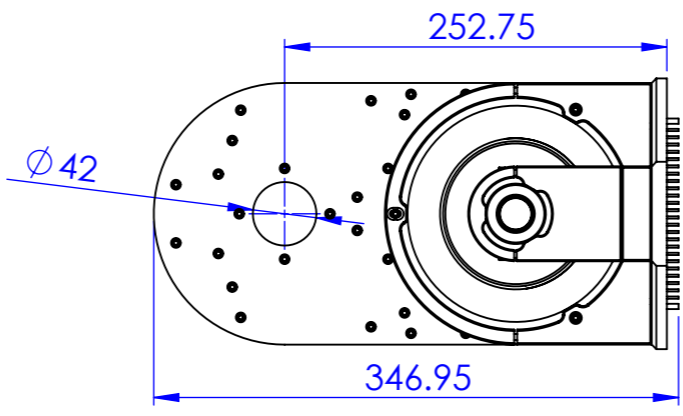
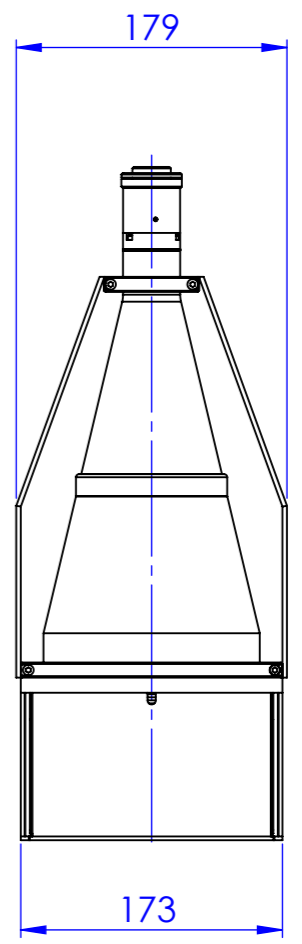
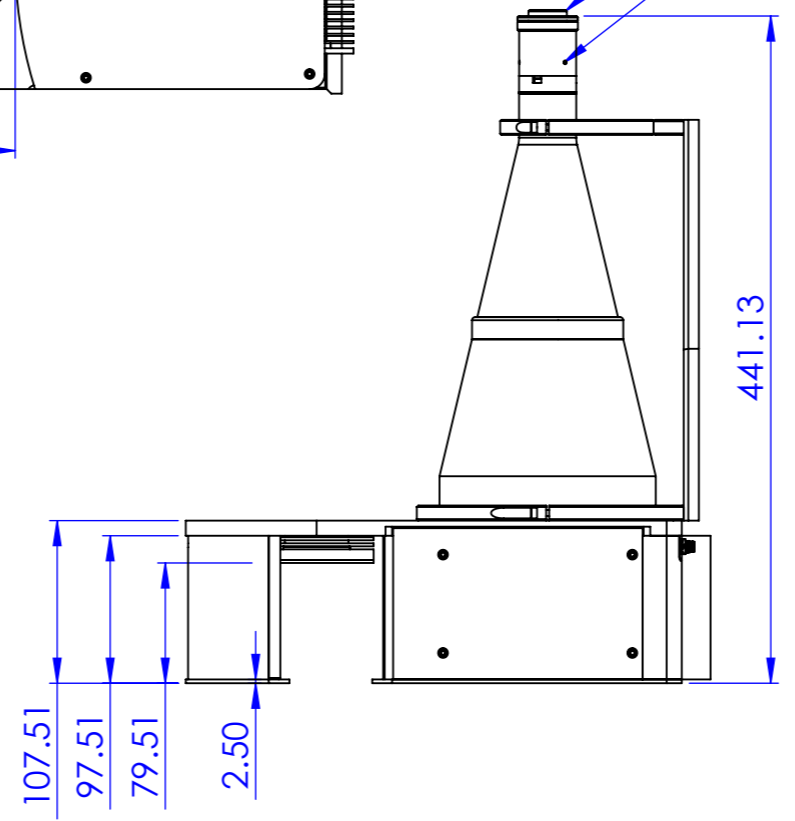
C

B

A



C-mount
Phase adjustment



1 2 3 4 5 6 7 8

0 1 2 3 4 5 6 7 8 9 10

Material		N.A.		Mass		6958 g		Scale		1:5					
Surface treatment		N.A.		Part No.		CO29849									
Geometrical tolerance (ISO 2768-2)								Class	K	Undimensioned bevels		0.5x45°			
Linear tolerance (ISO 2768-2)								Class	m	Undimensioned radii		R 0.5			
0.5 ±3	>3± 6	>6± 30	>30± 120	>120 ±400	>400± 1000	>1000 ±2000	>2000 ±4000	±0.1	±0.1	±0.2	±0.3	±0.5	±0.8	±1.2	±2
all dimensions are in mm		Date		Name		Drawing No.		Sheet							
		Designed		Vasconetto		DP 29849-B		1/1		Secret and confidential - All rights reserved - No copy, dissemination or circulation is allowed unless specifically authorized in writing by OPTO ENGINEERING S.r.l. - Any violation shall be legally prosecuted.					
		Drawn		Vasconetto											
		Checked		Vasconetto											
OPTO ENGINEERING S.r.l. - Mantova, Italy - Tel. +39 0376699111 - www.opto-e.com															