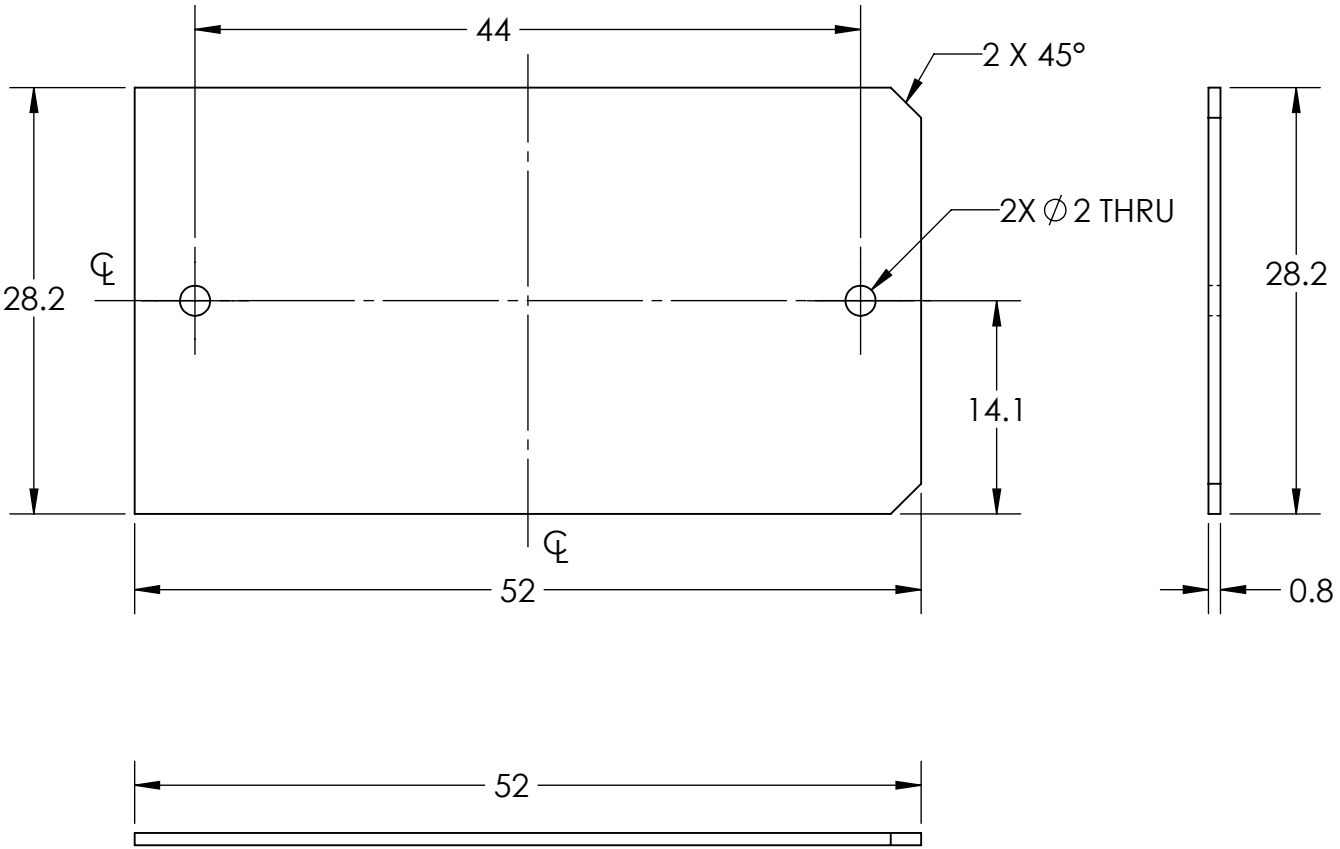


1 2 3 4 5 6 7 8

REVISIONS			
REV.	DESCRIPTIONS	EDIT BY	DATE:(d/m/y)
01	POLARIZER	WAN HAIKAL	26/2/2019
-	-	-	DD/MM/YYYY

D D



C C

B B

A A



DESIGN BY	WAN HAIKAL	UNIT:	MM	
CHECK BY	WAN HAIKAL	REVISION:	01	
DATE	26/2/2019	SCALE:	2 : 1	
MATERIAL	-	TITLE	POLARIZER	
FINISHING	-	PART NO	PLLTZPFL040-00-6-H	
QTY	-	DWG NO	-	SHEET 1 OF 1

PRODUCT SERIES:PLLTZPFL SERIES - OPTO ENG.

1 2 3 4 5 6 7 8