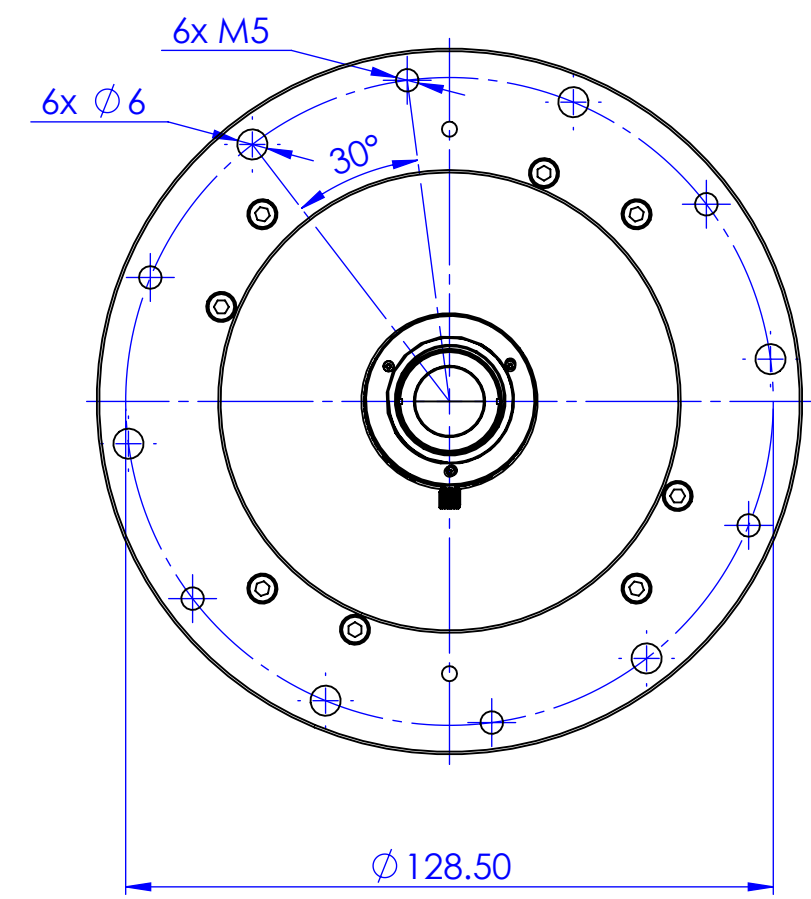
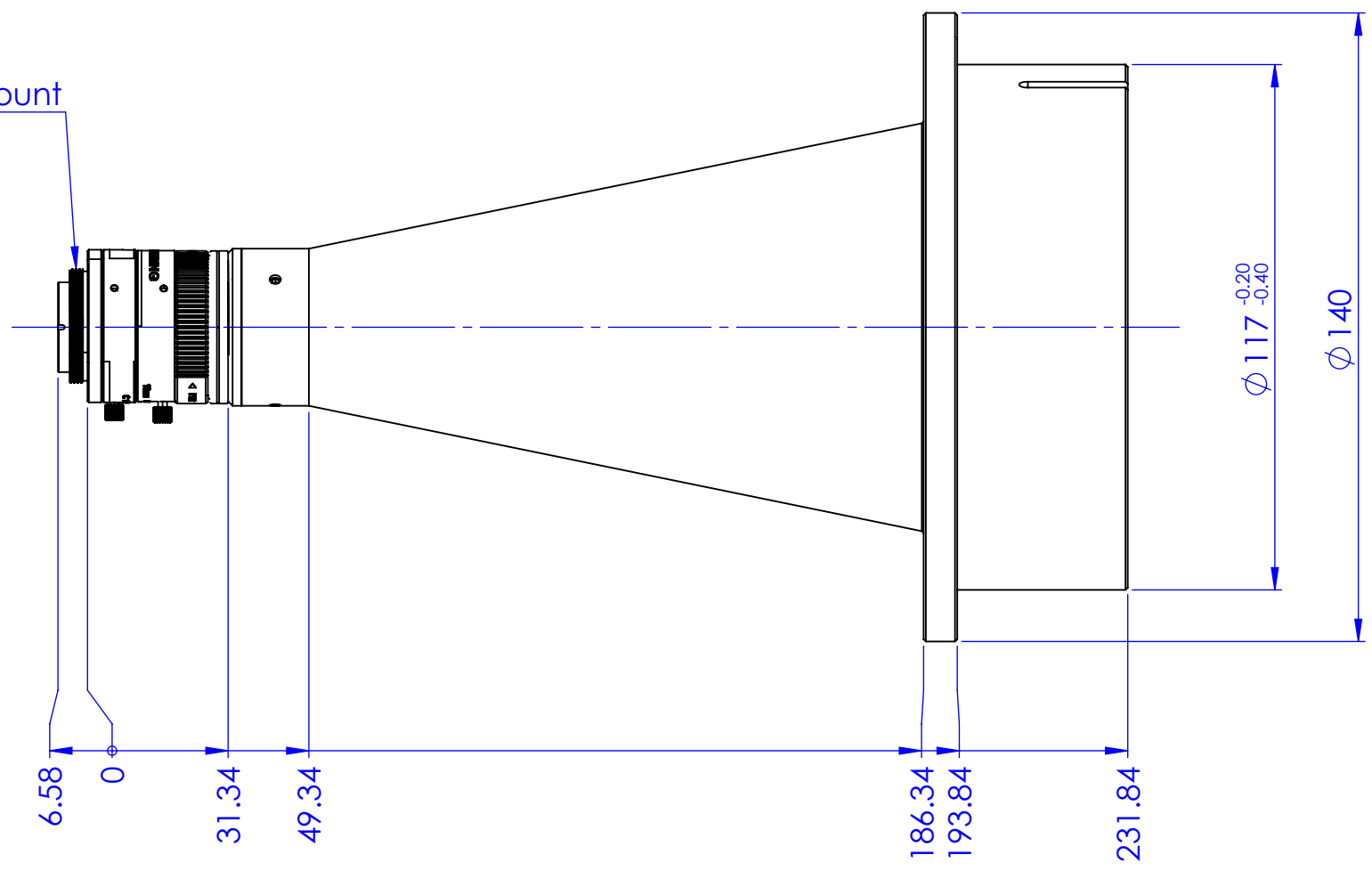


C-mount



Material		N.A.		Mass		907 g		Scale		1:1.5	
Surface treatment		N.A.		Part No.		CO71172					
Geometrical tolerance (ISO 2768-2)								Class		K	
Linear tolerance (ISO 2768-2)								Class		m	
0.5	>3±	>6±	>30±	>120	>400±	>1000	>2000	Undimensioned bevels	0.5x45°	Description	
±3	6	30	120	±400	1000	±2000	±4000				
±0.1	±0.1	±0.2	±0.3	±0.5	±0.8	±1.2	±2	Undimensioned radii	R 0.5	PCPW012	
		Date		Name		Drawing No.		Sheet			
		Designed 26/02/2015		Bna		DP 71172-A		1/1			
		Drawn 13/12/2021		Ogrimaldo		<i>Secret and confidential - All rights reserved - No copy, dissemination or circulation is allowed unless specifically authorized in writing by OPTO ENGINEERING S.r.l. - Any violation shall be legally prosecuted.</i>					
Checked 22/12/2021		Rizzotto									
OPTO ENGINEERING S.r.l. - Mantova, Italy - Tel. +39 0376699111 - www.opto-e.com											

all dimensions are in mm