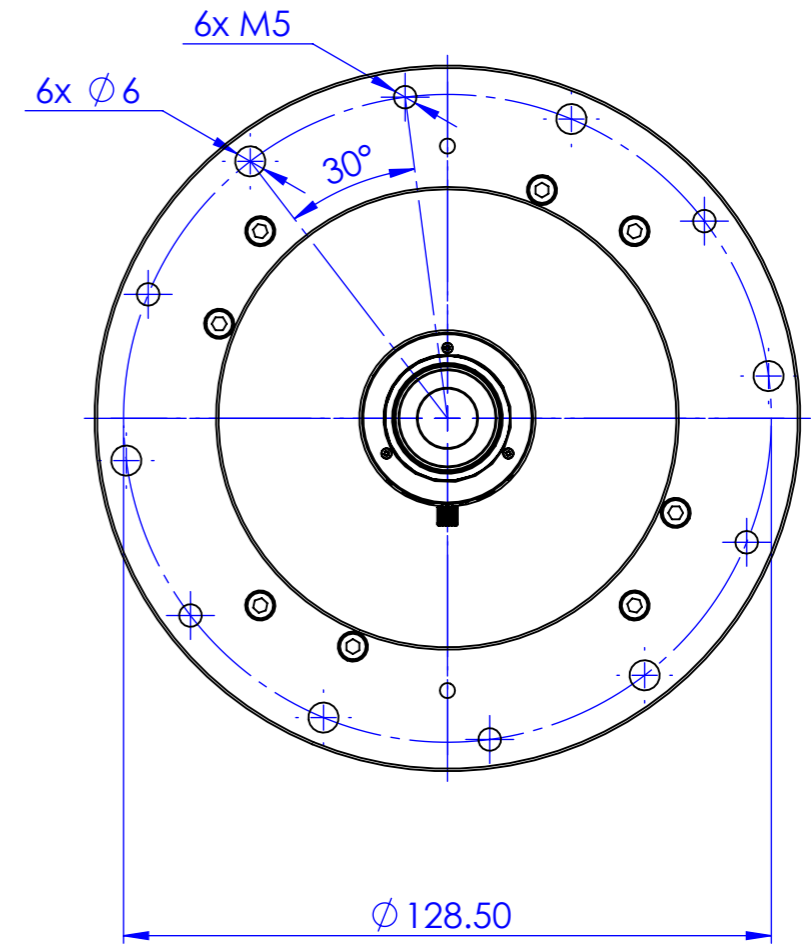
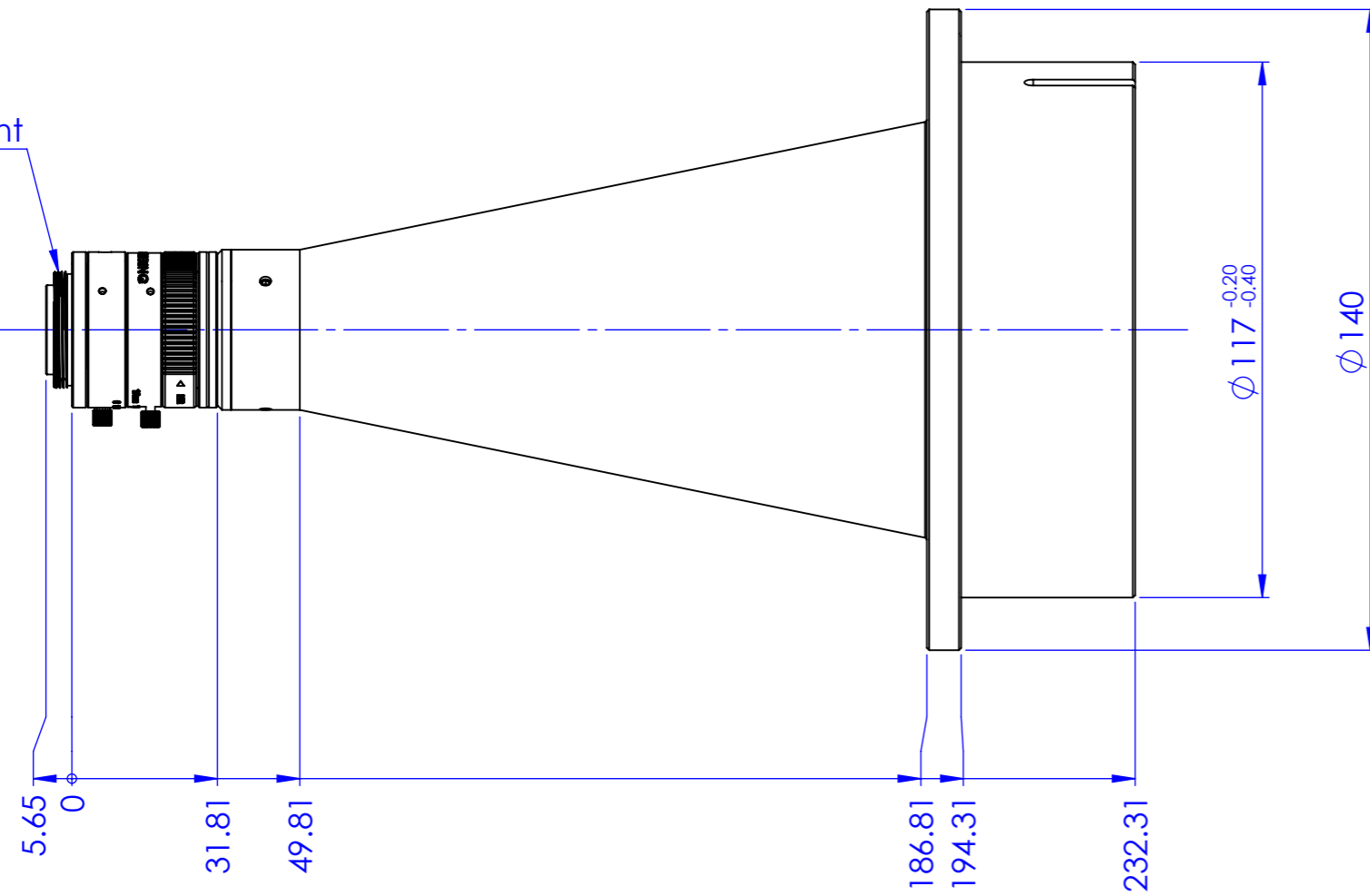


C-mount



Material		N.A.		Mass		902 g		Scale		1:1.5		
Surface treatment		N.A.		Part No.		CO71169						
Geometrical tolerance (ISO 2768-2)								Class	K	Undimensioned bevels		0.5x45°
Linear tolerance (ISO 2768-2)								Class	m	Undimensioned radii		R 0.5
0.5	>3÷	>6÷	>30÷	>120	>400÷	>1000	>2000					
±3	6	30	120	±400	±1000	±2000	±4000					
±0.1	±0.1	±0.2	±0.3	±0.5	±0.8	±1.2	±2					
		Date		Name		Drawing No.		Sheet				
		Designed		Bna		DP 71169-A		1/1				
		Drawn		Ogrimaldo		<i>Secret and confidential - All rights reserved - No copy, dissemination or circulation is allowed unless specifically authorized in writing by OPTO ENGINEERING S.r.l. - Any violation shall be legally prosecuted.</i>						
		Checked		Rizzotto								
OPTO ENGINEERING S.r.l. - Mantova, Italy - Tel. +39 0376699111 - www.opto-e.com												

all dimensions are in mm