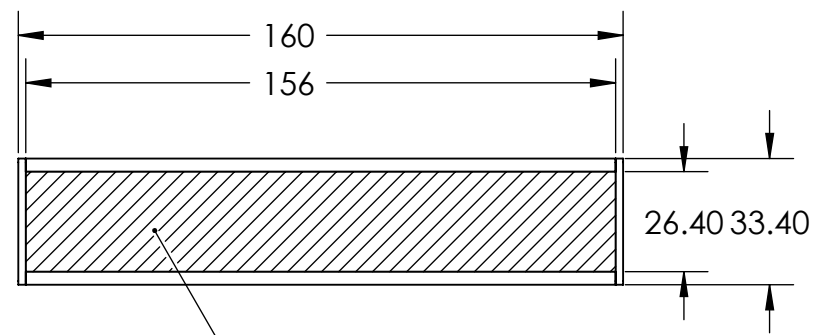
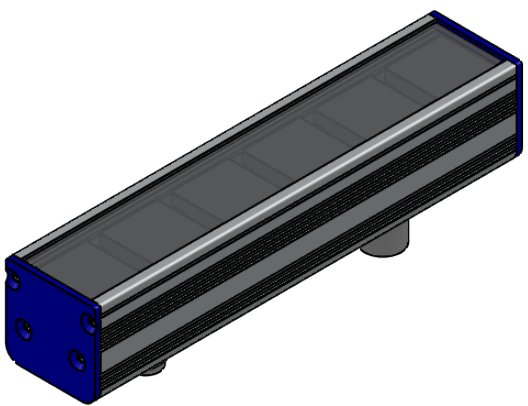


1 2 3 4 5 6 7 8

D

D



EMITTING AREA

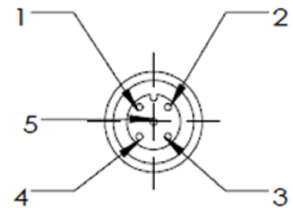
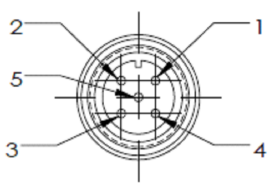


M12 MALE CONNECTOR

M12 FEMALE CONNECTOR

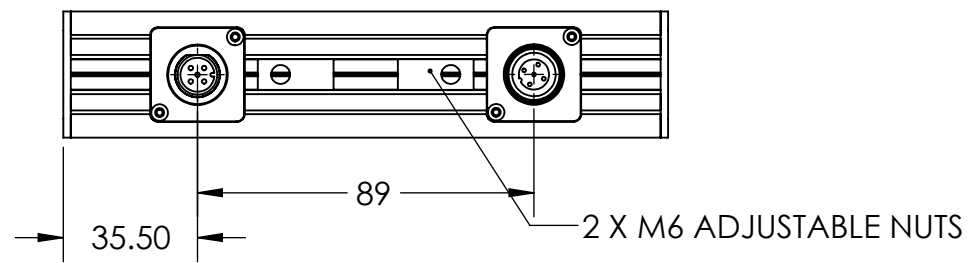
MALE

FEMALE



PIN 1	BROWN	24V
PIN 2	WHITE	-
PIN 3	BLUE	GND
PIN 4	BLACK	-
PIN 5	GRAY	-

PIN 1	BROWN	24V
PIN 2	WHITE	-
PIN 3	BLUE	GND
PIN 4	BLACK	-
PIN 5	GRAY	-




B

B

A

A

 OPTO ENGINEERING	DESIGN BY	KB TAN	UNIT: MM	PRODUCT SERIES: HBL3 SERIES	
	CHECK BY	KB TAN			
	DATE	10/07/2019	REVISION:	TITLE	DRAWING LAYOUT
	MATERIAL	-	01	PART NO	HBL3-00-160-1-R-24V
	FINISHING	-	SCALE:	DWG NO	-
QTY	-	1 : 2			SHEET 1 OF 1

1 2 3 4 5 6 7 8