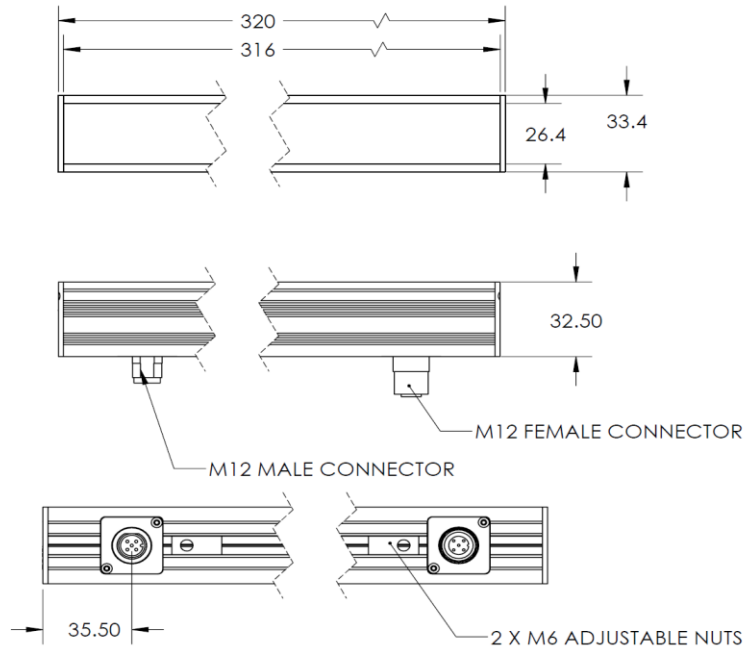


ILLUMINATOR DATA

RT-HBL3-00-320-1-UV365-24V


Lighting Dimension




Mechanical Information	
Casing Material	Aluminium
Storage Temperature Range	Temp 0-45°C, Humidity 20-85%
Weight	500 g
Length / Outer Diameter	320 mm
Width / Inner Diameter	33.4 mm
Thickness/Height	32.5 mm

ILLUMINATOR DATA

RT-HBL3-00-320-1-UV365-24V

Optical Information							
Part Number		RT-HBL3-00-320-1-UV365-24V					
LED Color		UV					
Wavelength	(nm)	365					
Intensity ($\pm 15\%$)	(Lux)	NA					
Working Distance	(mm)	NA					
Illumination (number of row)		1					
Illumination Active Area							
Active Length / Outer Dia.	(mm)	316					
Active Width / Inner Dia.		26.4					
Emission angle	(deg.)	0					
Eye Safety Class (IEC62471)		TBA					
*CHROMATICITY TABLE							
Electrical Information							
Lighting Supply Voltage (constant voltage mode)		24V \pm 2%					
Continuous Current	(mA)	240					
Power Consumption	(W)	5.76					
Lighting casing temperature, Operating after 60 minutes	°C	52.3					
Strobe Mode Specification							
Pulse Operation		YES					
Max. Lighting Supply Voltage (Constant voltage power supply)	(V)	Pulsing at 24VDC to 48VDC, 0-10% Duty Cycle Recommended at 36VDC					
Pulse Current, (Max. 10msec) (Constant current power supply)	(mA)	720					
Max. Trigger Pulse Duration	(msec)	10					
Duty Cycle		0-10%					
Additional Information							
Additional Cooling Method		Attached to machine part for better heat dissipation					
Lifespan in Continuous Mode		20,000 hours (drop to 50% intensity) at 25°C					
Lifespan in Strobe Mode		Est. >50,000 hours (drop to 50% intensity) at 25°C					
Intensity Controller Selection		SD/SDA-Series					
CE Conformity		YES					
RoHS Compliance		YES					
Connection							
Connector Type (Default):		M12 5PIN MALE CONECTOR			M12 5 PIN FEMALE CONNECTOR		
Cable Length out from lighting :	(mm)	-					
Pin Configuration :		Pin	Colour	Signal	Pin	Colour	Signal
		1	Brown	24V	1	Brown	24V
		2	White	-	2	White	-
		3	Blue	GND	3	Blue	GND
		4	Black	-	4	Black	-
		5	Gray	-	5	Gray	-
							

Extension Cable	
Connector Type (default)	M12 5 PIN CONNECTOR (FEMALE)
Part Number	(mm) EXT-FL-M12F-3M-24V
Cable Length (out from female connector)	3000
Extension Cable (connect to M12 5 Pin Male Connector from lighting)	
Application	
Illumination Type	High Luminosity Line Bar Light
Application Use	Robotic picking, inspection for parts identification & missing parts, visual inspection for large workpiece, measuring stamp dimensions for press