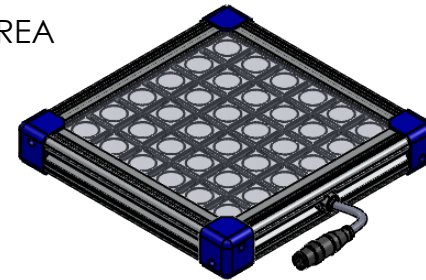
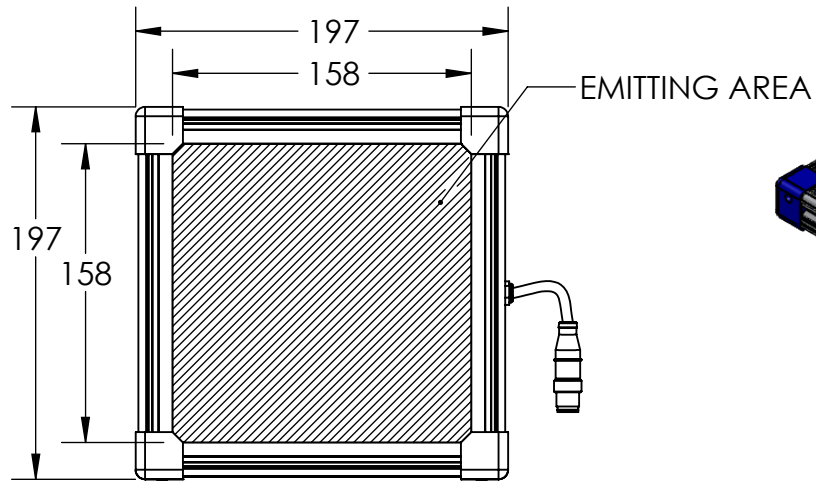


D

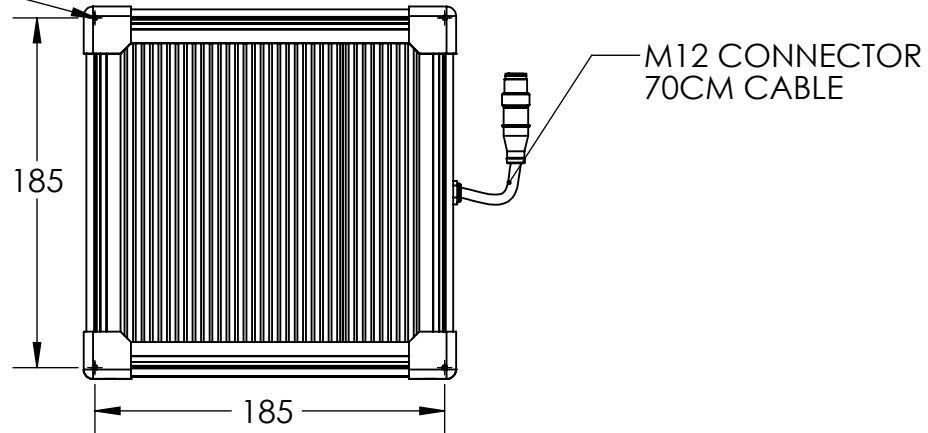
C

B

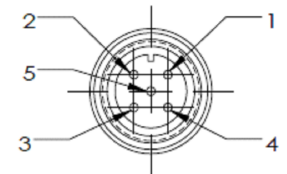
A




4 X TAP M3  $\nabla$  7.50



MALE



PIN 1	BROWN	24V
PIN 2	WHITE	-
PIN 3	BLUE	GND
PIN 4	BLACK	-
PIN 5	GRAY	-

	DESIGN BY	MUZAKKIR	UNIT:	MM	
	CHECK BY	KB TAN	REVISION:	01	
	DATE	10/7/2019	SCALE:	1 : 4	
	MATERIAL	-	TITLE	DRAWING LAYOUT	
	FINISHING	-	PART NO	HBQ3-00-160-6-R-24V	
QTY	-	DWG NO	-	SHEET 1 OF 1	
PRODUCT SERIES: HBQ3 SERIES					