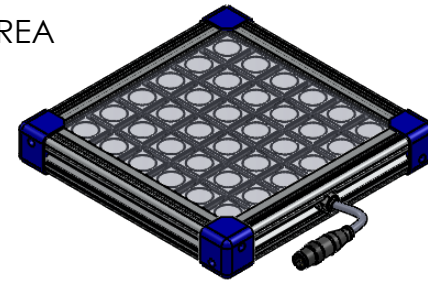
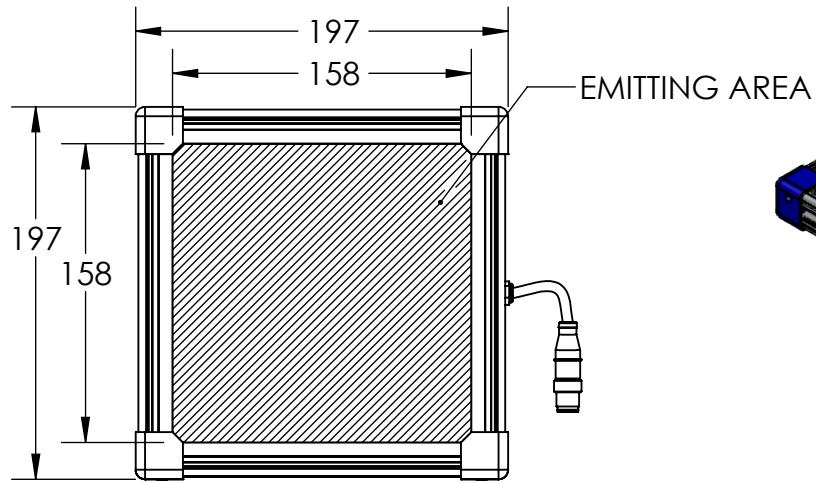
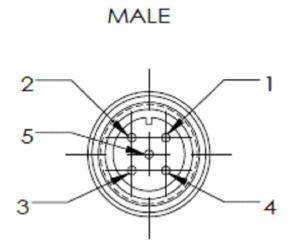
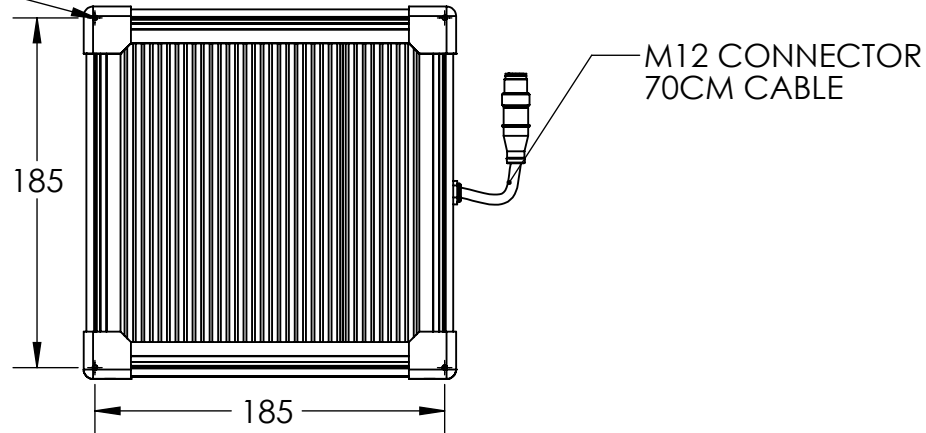


D




4 X TAP M3 ∇ 7.50



PIN 1	BROWN	24V
PIN 2	WHITE	-
PIN 3	BLUE	GND
PIN 4	BLACK	-
PIN 5	GRAY	-

B

A

	DESIGN BY	MUZAKKIR	UNIT:	PRODUCT SERIES: HBQ3 SERIES	
	CHECK BY	KB TAN			
	DATE	10/7/2019	REVISION:	TITLE	DRAWING LAYOUT
	MATERIAL	-	01	PART NO	HBQ3-00-160-6-B-24V
	FINISHING	-	SCALE:	DWG NO	-
QTY	-	1 : 4			SHEET 1 OF 1