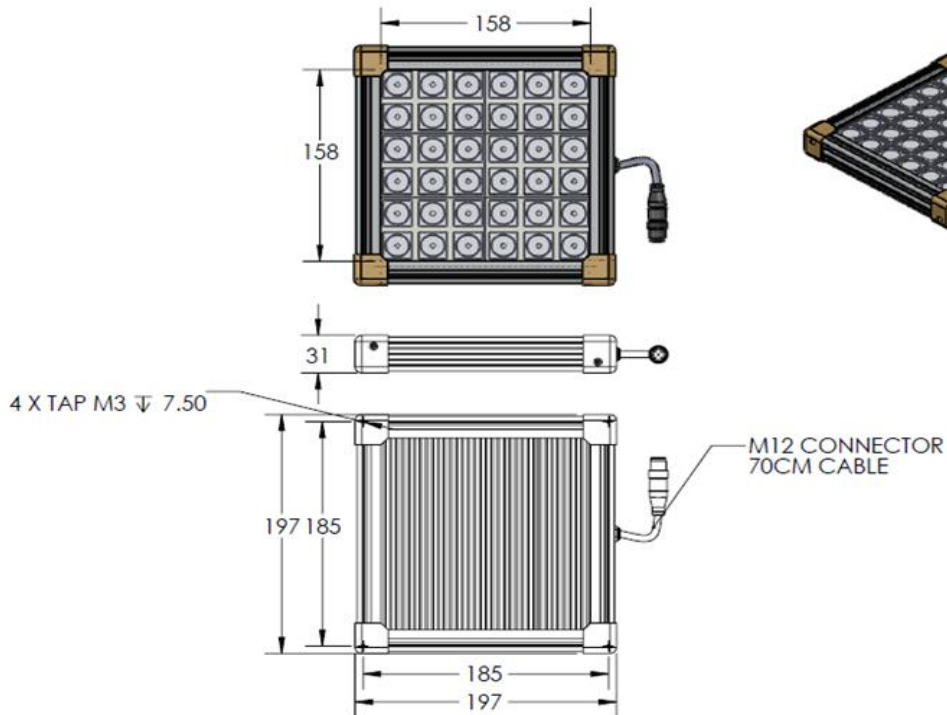


ILLUMINATOR DATA

RT-HBQ3-00-160-6-R-24V

Lighting Dimension




Mechanical Information	
Casing Material	Aluminium
Storage Temperature Range	Temp 0-45°C, Humidity 20-85%
Weight	1500 g
Length / Outer Diameter	197 mm
Width / Inner Diameter	197 mm
Thickness/Height	31 mm




OPTO ENGINEERING

ILLUMINATOR DATA

RT-HBQ3-00-160-6-R-24V

Optical Information				
Part Number		RT-HBQ3-00-160-3-R-24V		
LED Color		RED		
Wavelength	(nm)	630		
Intensity ($\pm 15\%$)	(Lux)	6478	4017	3034
Working Distance	(mm)	350	450	550
Illumination (number of row)		6		
Illumination Active Area				
Active Length / Outer Dia.	(mm)	158		
Active Width / Inner Dia.		158		
Emission angle	(deg.)	0		
Eye Safety Class (IEC62471)		EXEMPT		
*CHROMATICITY TABLE				
Electrical Information				
Lighting Supply Voltage (constant voltage mode)			24V \pm 2%	
Continuous Current	(mA)	840		
Power Consumption	(W)	20.16		
Lighting casing temperature, Operating after 60 minutes	°C	48.4		
Strobe Mode Specification				
Pulse Operation		YES		
Max. Lighting Supply Voltage (Constant voltage power supply)	(V)	Pulsing at 24VDC to 48VDC, 0-10% Duty Cycle Recommended at 36VDC		
Pulse Current, (Max. 10msec) (Constant current power supply)	(mA)	2520		
Max. Trigger Pulse Duration	(msec)	10		
Duty Cycle		0-10%		
Additional Information				
Additional Cooling Method		Attached to machine part for better heat dissipation		
Lifespan in Continuous Mode		20,000 hours (drop to 50% intensity) at 25°C		
Lifespan in Strobe Mode		Est. >50,000 hours (drop to 50% intensity) at 25°C		
Intensity Controller Selection		SD/SDA-Series		
CE Conformity		YES		
RoHS Compliance		YES		
Connection				
Connector Type (Default):		M12 5 PIN MALE CONNECTOR		
Cable Length out from lighting :	(mm)	700		
Pin Configuration :		Pin	Signal	Cable Colour
		1	24V	BROWN
		2	-	WHITE
		3	GND	BLUE
		4	-	BLACK
		5	-	GREY
				

Extension Cable	
Connector Type (default)	M12 5 PIN CONNECTOR (FEMALE)
Part Number	(mm) EXT-FL-M12F-3M-24V
Cable Length (out from female connector)	3000
Extension Cable (connect to M12 5 Pin Male Connector from lighting)	
Application	
Illumination Type	High Power Front Light
Application Use	High power square spot illumination which is suitable for applications that require high intensity illumination