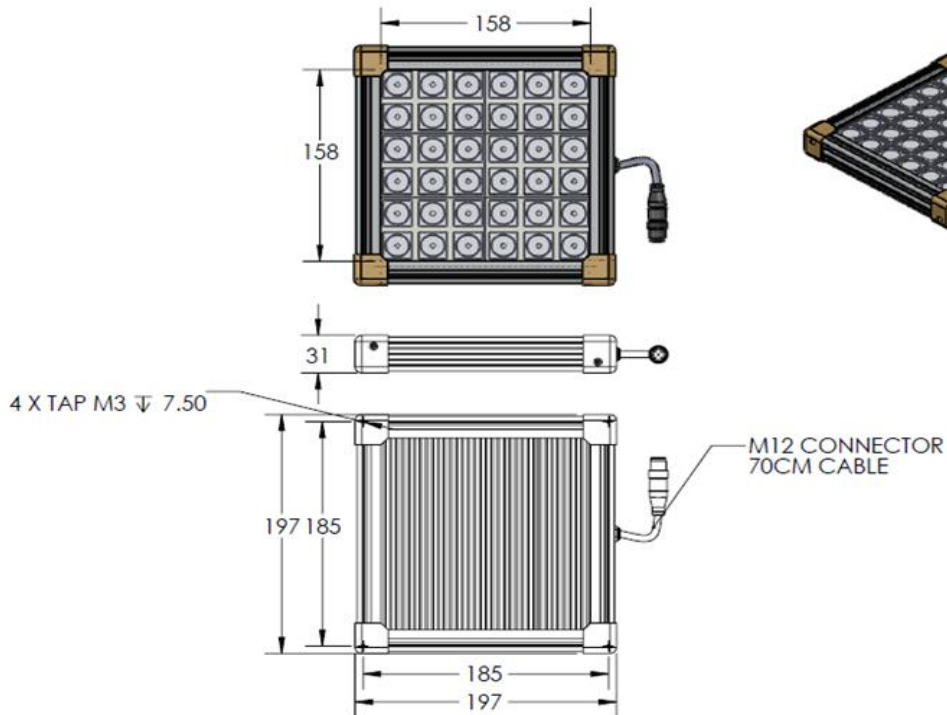


ILLUMINATOR DATA

RT-HBQ3-00-160-6-G-24V

Lighting Dimension




Mechanical Information	
Casing Material	Aluminium
Storage Temperature Range	Temp 0-45°C, Humidity 20-85%
Weight	1500 g
Length / Outer Diameter	197 mm
Width / Inner Diameter	197 mm
Thickness/Height	31 mm




OPTO ENGINEERING

ILLUMINATOR DATA

RT-HBQ3-00-160-6-G-24V

Optical Information			
Part Number		RT-HBQ3-00-160-3-G-24V	
LED Color		GREEN	
Wavelength	(nm)	525	
Intensity ($\pm 15\%$)	(Lux)	7934	4920 3716
Working Distance	(mm)	350	450 550
Illumination (number of row)		6	
Illumination Active Area			
Active Length / Outer Dia.	(mm)	158	
Active Width / Inner Dia.		158	
Emission angle	(deg.)	0	
Eye Safety Class (IEC62471)		EXEMPT	
*CHROMATICITY TABLE			
Electrical Information			
Lighting Supply Voltage (constant voltage mode)		24V \pm 2%	
Continuous Current	(mA)	610	
Power Consumption	(W)	14.64	
Lighting casing temperature, Operating after 60 minutes	°C	48.4	
Strobe Mode Specification			
Pulse Operation		YES	
Max. Lighting Supply Voltage (Constant voltage power supply)	(V)	Pulsing at 24VDC to 48VDC, 0-10% Duty Cycle Recommended at 36VDC	
Pulse Current, (Max. 10msec) (Constant current power supply)	(mA)	1830	
Max. Trigger Pulse Duration	(msec)	10	
Duty Cycle		0-10%	
Additional Information			
Additional Cooling Method		Attached to machine part for better heat dissipation	
Lifespan in Continuous Mode		20,000 hours (drop to 50% intensity) at 25°C	
Lifespan in Strobe Mode		Est. >50,000 hours (drop to 50% intensity) at 25°C	
Intensity Controller Selection		SD/SDA-Series	
CE Conformity		YES	
RoHS Compliance		YES	
Connection			
Connector Type (Default):		M12 5 PIN MALE CONNECTOR	
Cable Length out from lighting :	(mm)	700	
Pin Configuration :		Pin	Signal Cable Colour
		1	24V BROWN
		2	- WHITE
		3	GND BLUE
		4	- BLACK
		5	- GREY
			

Extension Cable	
Connector Type (default)	M12 5 PIN CONNECTOR (FEMALE)
Part Number	(mm) EXT-FL-M12F-3M-24V
Cable Length (out from female connector)	3000
Extension Cable (connect to M12 5 Pin Male Connector from lighting)	
Application	
Illumination Type	High Power Front Light
Application Use	High power square spot illumination which is suitable for applications that require high intensity illumination