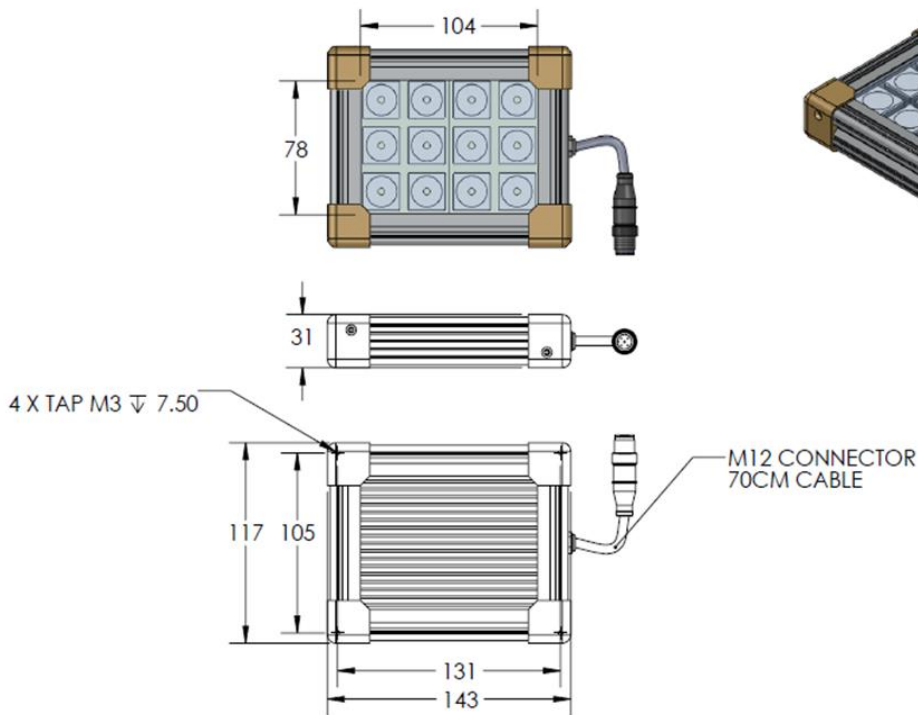


ILLUMINATOR DATA

RT-HBQ3-00-100-3-W-24V

Lighting Dimension



Mechanical Information	
Casing Material	Aluminium
Storage Temperature Range	Temp 0-45°C, Humidity 20-85%
Weight	800 g
Length / Outer Diameter	143 mm
Width / Inner Diameter	117 mm
Thickness/Height	31 mm




OPTO ENGINEERING

ILLUMINATOR DATA

RT-HBQ3-00-100-3-W-24V

Optical Information		RT-HBQ3-00-100-3-W-24V																							
Part Number		RT-HBQ3-00-100-3-W-24V																							
LED Color		WHITE																							
Wavelength	(nm)	* chromaticity table																							
Intensity ($\pm 15\%$)	(Lux)	7750	4900	2500																					
Working Distance	(mm)	250	350	450																					
Illumination (number of row)		3																							
Illumination Active Area																									
Active Length / Outer Dia.	(mm)	104																							
Active Width / Inner Dia.		78																							
Emission angle	(deg.)	0																							
Eye Safety Class (IEC62471)		EXEMPT																							
*CHROMATICITY TABLE		<table border="1"> <tr> <td>X</td> <td>0.296</td> <td>0.287</td> <td>0.307</td> <td>0.311</td> </tr> <tr> <td>Y</td> <td>0.276</td> <td>0.295</td> <td>0.315</td> <td>0.294</td> </tr> </table>		X	0.296	0.287	0.307	0.311	Y	0.276	0.295	0.315	0.294	<table border="1"> <tr> <td>X</td> <td>0.311</td> <td>0.307</td> <td>0.33</td> <td>0.33</td> </tr> <tr> <td>Y</td> <td>0.294</td> <td>0.315</td> <td>0.339</td> <td>0.318</td> </tr> </table>		X	0.311	0.307	0.33	0.33	Y	0.294	0.315	0.339	0.318
X	0.296	0.287	0.307	0.311																					
Y	0.276	0.295	0.315	0.294																					
X	0.311	0.307	0.33	0.33																					
Y	0.294	0.315	0.339	0.318																					
Electrical Information																									
Lighting Supply Voltage (constant voltage mode)		24V \pm 2%																							
Continuous Current	(mA)	210																							
Power Consumption	(W)	5.04																							
Lighting casing temperature, Operating after 60 minutes	°C	42.8																							
Strobe Mode Specification																									
Pulse Operation		YES																							
Max. Lighting Supply Voltage (Constant voltage power supply)	(V)	Pulsing at 24VDC to 48VDC, 0-10% Duty Cycle Recommended at 36VDC																							
Pulse Current, (Max. 10msec) (Constant current power supply)	(mA)	630																							
Max. Trigger Pulse Duration	(msec)	10																							
Duty Cycle		0-10%																							
Additional Information																									
Additional Cooling Method		Attached to machine part for better heat dissipation																							
Lifespan in Continuous Mode		20,000 hours (drop to 50% intensity) at 25°C																							
Lifespan in Strobe Mode		Est. >50,000 hours (drop to 50% intensity) at 25°C																							
Intensity Controller Selection		SD/SDA-Series																							
CE Conformity		YES																							
RoHS Compliance		YES																							
Connection																									
Connector Type (Default):		M12 5 PIN MALE CONNECTOR																							
Cable Length out from lighting :	(mm)	700																							
Pin Configuration :		Pin	Signal	Cable Colour																					
		1	24V	BROWN																					
		2	-	WHITE																					
		3	GND	BLUE																					
		4	-	BLACK																					
		5	-	GREY																					

Extension Cable	
Connector Type (default)	M12 5 PIN CONNECTOR (FEMALE)
Part Number	(mm) EXT-FL-M12F-3M-24V
Cable Length (out from female connector)	3000
Extension Cable (connect to M12 5 Pin Male Connector from lighting)	
Application	
Illumination Type	High Power Front Light
Application Use	High power square spot illumination which is suitable for applications that require high intensity illumination