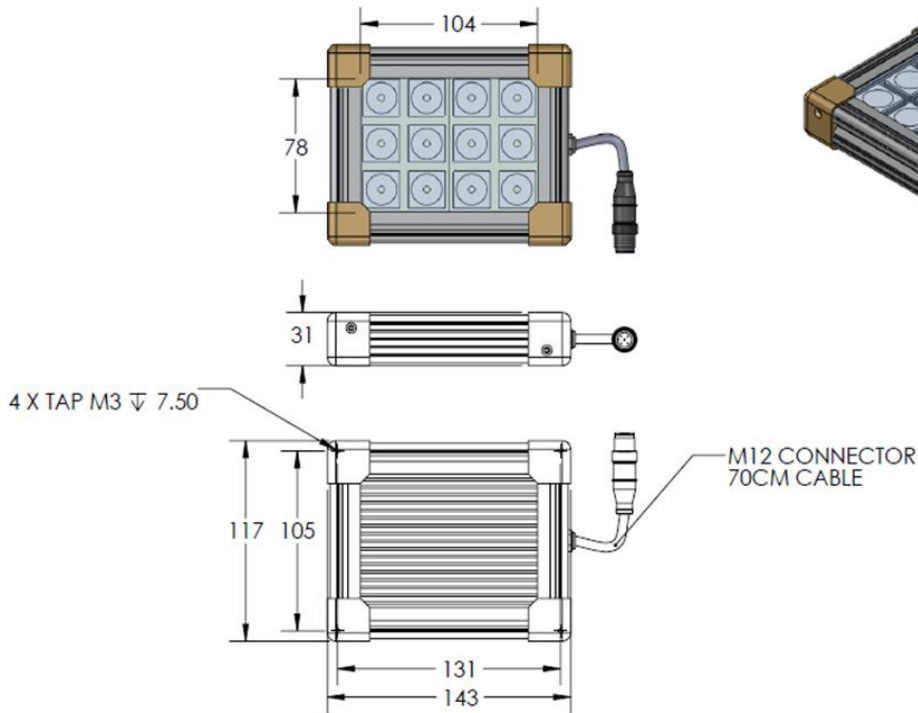


ILLUMINATOR DATA

RT-HBQ3-00-100-3-R-24V

Lighting Dimension




| Mechanical Information | |
|---------------------------|------------------------------|
| Casing Material | Aluminium |
| Storage Temperature Range | Temp 0-45°C, Humidity 20-85% |
| Weight | 800 g |
| Length / Outer Diameter | 143 mm |
| Width / Inner Diameter | 117 mm |
| Thickness/Height | 31 mm |




OPTO ENGINEERING

ILLUMINATOR DATA

RT-HBQ3-00-100-3-R-24V

| Optical Information | | | |
|--|--------|---|---------------------|
| Part Number | | RT-HBQ3-00-100-3-R-24V | |
| LED Color | | RED | |
| Wavelength | (nm) | 630 | |
| Intensity ($\pm 15\%$) | (Lux) | 4404 | 2784 1420 |
| Working Distance | (mm) | 250 | 350 450 |
| Illumination (number of row) | | 3 | |
| Illumination Active Area | | | |
| Active Length / Outer Dia. | (mm) | 104 | |
| Active Width / Inner Dia. | | 78 | |
| Emission angle | (deg.) | 0 | |
| Eye Safety Class (IEC62471) | | EXEMPT | |
| *CHROMATICITY TABLE | | | |
| | | | |
| Electrical Information | | | |
| Lighting Supply Voltage (constant voltage mode) | | 24V \pm 2% | |
| Continuous Current | (mA) | 280 | |
| Power Consumption | (W) | 6.72 | |
| Lighting casing temperature, Operating after 60 minutes | °C | 42.8 | |
| | | | |
| Strobe Mode Specification | | | |
| Pulse Operation | | YES | |
| Max. Lighting Supply Voltage (Constant voltage power supply) | (V) | Pulsing at 24VDC to 48VDC, 0-10% Duty Cycle Recommended at 36VDC | |
| Pulse Current, (Max. 10msec) (Constant current power supply) | (mA) | 840 | |
| Max. Trigger Pulse Duration | (msec) | 10 | |
| Duty Cycle | | 0-10% | |
| | | | |
| Additional Information | | | |
| Additional Cooling Method | | Attached to machine part for better heat dissipation | |
| Lifespan in Continuous Mode | | 20,000 hours (drop to 50% intensity) at 25°C | |
| Lifespan in Strobe Mode | | Est. >50,000 hours (drop to 50% intensity) at 25°C | |
| Intensity Controller Selection | | SD/SDA-Series | |
| CE Conformity | | YES | |
| RoHS Compliance | | YES | |
| | | | |
| Connection | | | |
| Connector Type (Default): | | M12 5 PIN MALE CONNECTOR | |
| Cable Length out from lighting : | (mm) | 700 | |
| Pin Configuration : | | Pin | Signal Cable Colour |
| | | 1 | 24V BROWN |
| | | 2 | - WHITE |
| | | 3 | GND BLUE |
| | | 4 | - BLACK |
| | | 5 | - GREY |
|  | | | |

| | |
|--|---|
| Extension Cable | |
| Connector Type (default) | M12 5 PIN CONNECTOR (FEMALE) |
| Part Number | (mm) EXT-FL-M12F-3M-24V |
| Cable Length (out from female connector) | 3000 |
| Extension Cable (connect to M12 5 Pin Male Connector from lighting) |  |
| Application | |
| Illumination Type | High Power Front Light |
| Application Use | High power square spot illumination which is suitable for applications that require high intensity illumination |