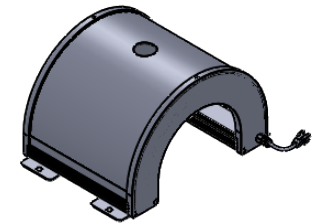
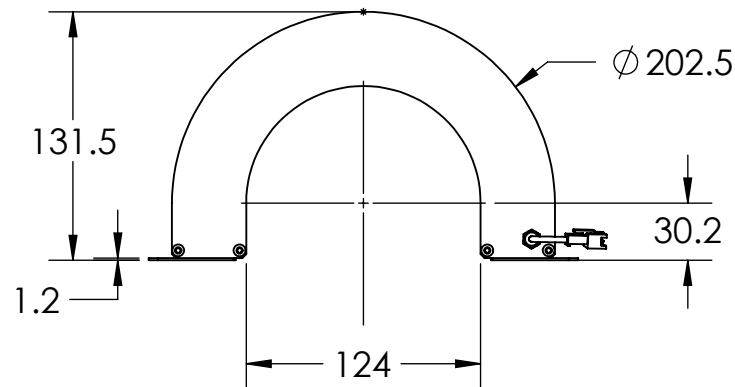
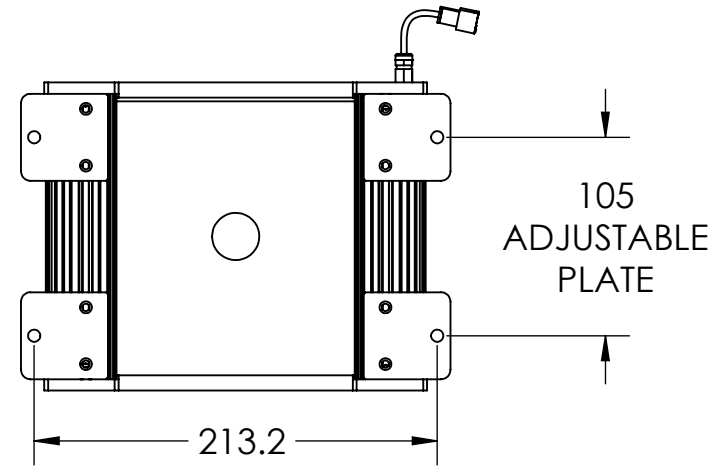
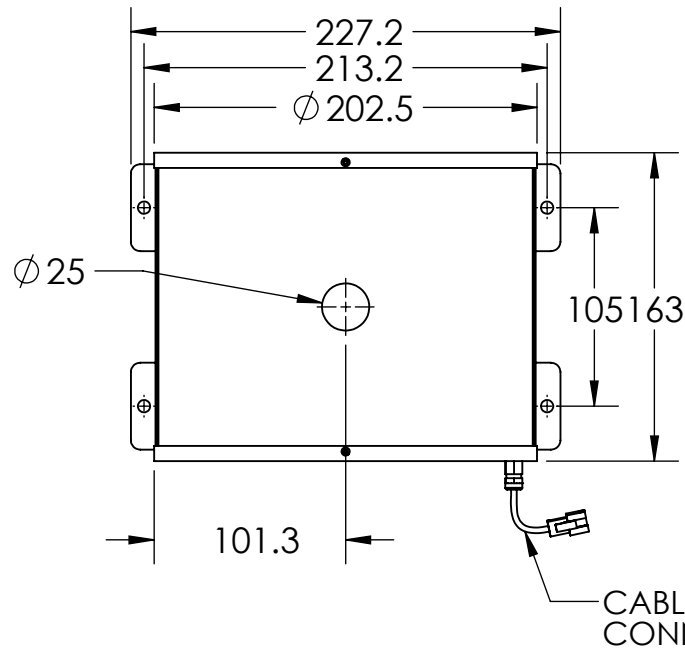


REVISIONS

ZONE	REV.	DESCRIPTIONS	DATE	APP.
------	------	--------------	------	------



DESIGN BY	MUZAKKIR
CHECK BY	KB TAN
DATE	5/9/2019
MATERIAL	-
FINISHING	-
QTY	-

UNIT:	MM
REVISION:	01
SCALE:	1 : 3

PRODUCT SERIES: LT3WRH SERIES - OPTO ENG			
TITLE	DRAWING LAYOUT	COLOUR:	- - -
PART NO	LT3WRH200-00-1-X-24V-AEX01	VOLTAGE:	- - -
DWG NO	-	CURRENT:	- - -
		POWER:	- - -
		SHEET 1 OF 1	