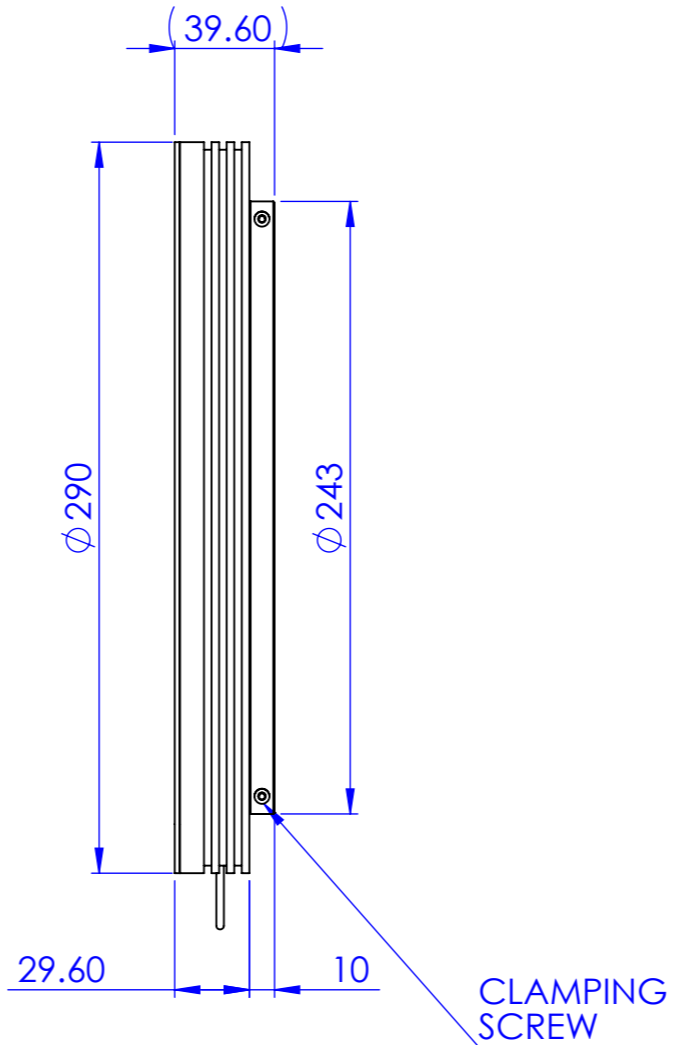
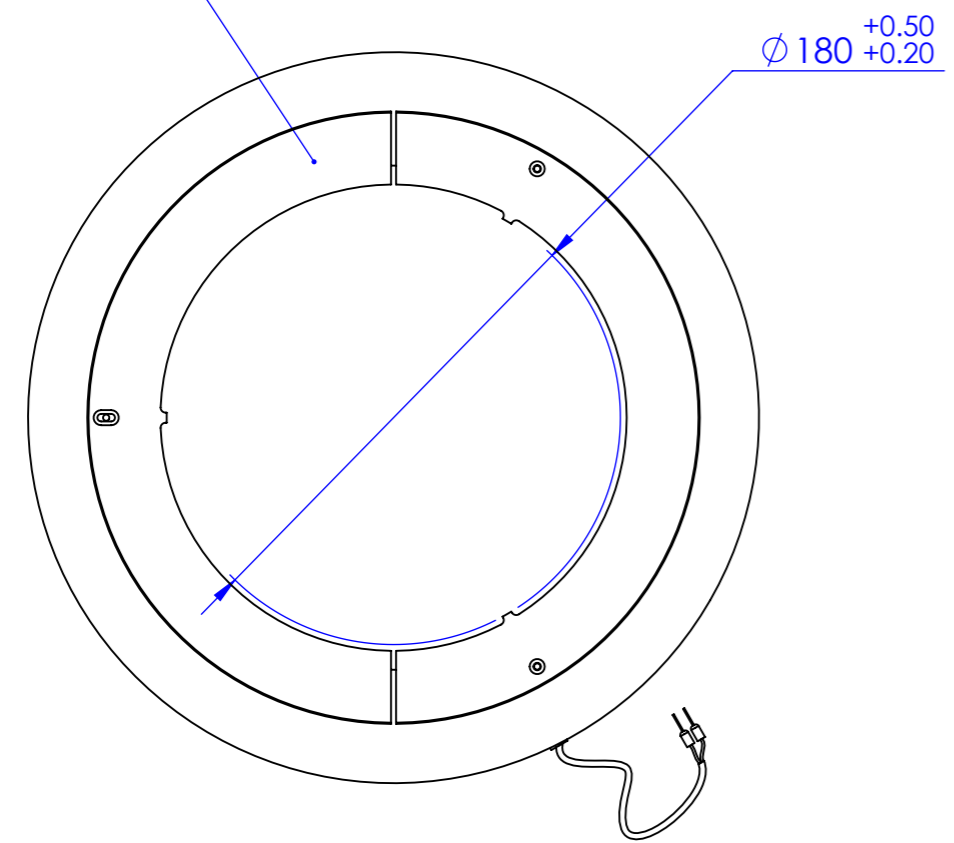
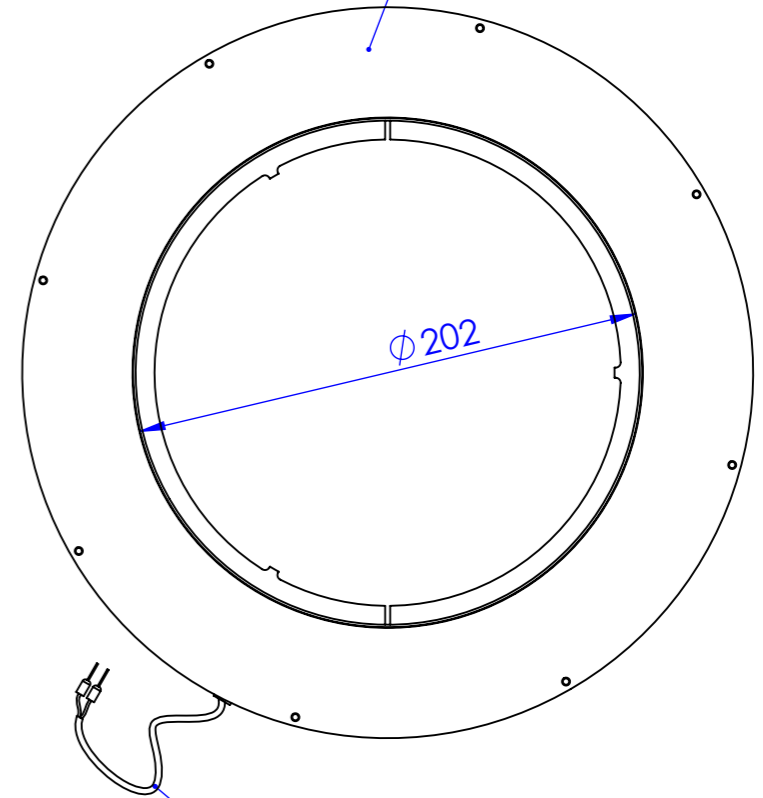


CLAMPING SYSTEM

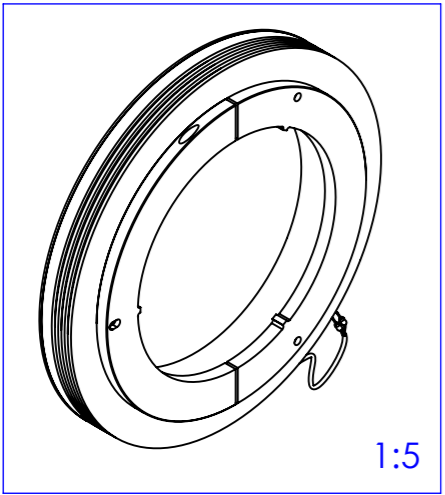


CLAMPING SCREW


EMITTING AREA



CABLE 1 METER



1:5

Material		N.A.		Mass		1310 g		Scale		1:3	
Surface treatment		N.A.		Part No.		CO23477					
Geometrical tolerance (ISO 2768-2)								Class		K	
Linear tolerance (ISO 2768-2)								Class		m	
0.5	>3	>6	>30	>120	>400	>1000	>2000	Undimensioned bevels	0.5x45°	Description LTRN120NW	
±3	6	30	120	±400	1000	±2000	±4000	Undimensioned radii	R 0.5		
±0.1	±0.1	±0.2	±0.3	±0.5	±0.8	±1.2	±2	Date		Name	
 OPTO ENGINEERING		Designed		18/12/2014		Rodella		Drawing No.		Sheet	
		Drawn		18/12/2014		Rodella		DP 23477-B		1/1	
		Checked									
all dimensions are in mm OPTO ENGINEERING S.r.l. - Mantova, Italy - Tel. +39 0376699111 - www.opto-e.com											
Secret and confidential - All rights reserved - No copy, dissemination or circulation is allowed unless specifically authorized in writing by OPTO ENGINEERING S.r.l. - Any violation shall be legally prosecuted.											