

1 2 3 4 5 6 7 8

D

D

C

C

B

B

A

A

CABLE
1 METER

CLAMPING
SCREW

EMITTING AREA

∅33

∅28 ^{+0.5}/_{+0.2}

CLAMPING
SYSTEM

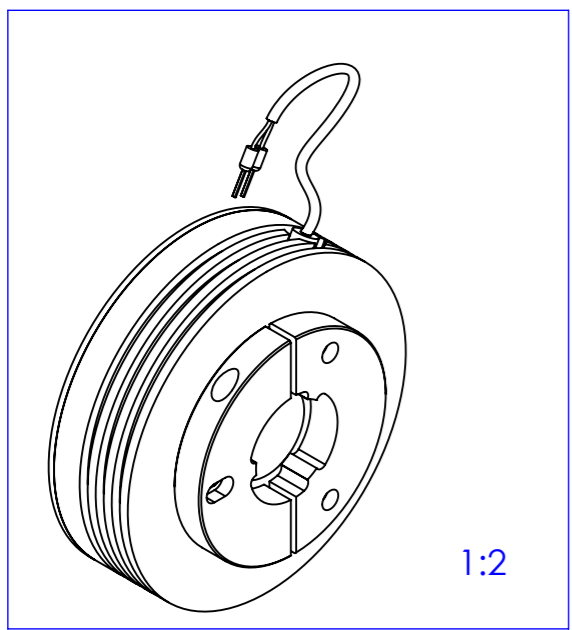
∅104

∅70

29.60

10

(39.60)



1:2

Material		N.A.		Mass		283 g		Scale		1:1			
Surface treatment		N.A.		Part No.		CO23430							
Geometrical tolerance (ISO 2768-2)								Class	K	Undimensioned bevels		0.5x45°	
Linear tolerance (ISO 2768-2)								Class	m	Undimensioned radii		R 0.5	
0.5 ±3	>3÷ 6	>6÷ 30	>30÷ 120	>120 ±400	>400÷ 1000	>1000 ±2000	>2000 ±4000						
±0.1	±0.1	±0.2	±0.3	±0.5	±0.8	±1.2	±2						
<p>OPTO ENGINEERING S.r.l. - Mantova, Italy - Tel. +39 0376699111 - www.opto-e.com</p>								Date	Name	Drawing No.		Sheet	
								Designed	16/12/2014	Rodella	DP 23430-B		1/1
								Drawn	16/12/2014	Rodella			
								Checked					
<p>Secret and confidential - All rights reserved - No copy, dissemination or circulation is allowed unless specifically authorized in writing by OPTO ENGINEERING S.r.l. - Any violation shall be legally prosecuted.</p>													

all dimensions are in mm

0 1 2 3 4 5 6 7 8 9 10

6

7

8