

1 2 3 4 5 6 7 8

D

D

C

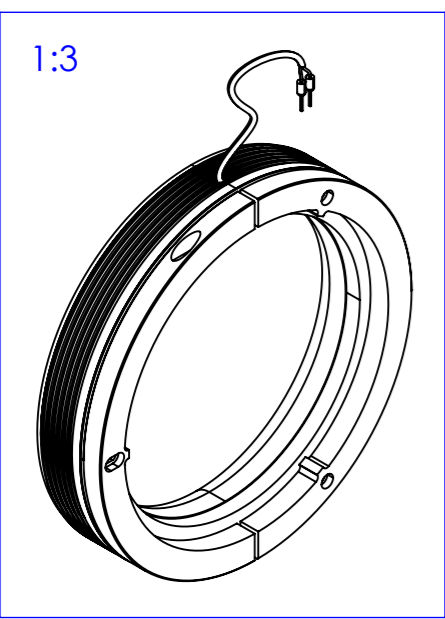
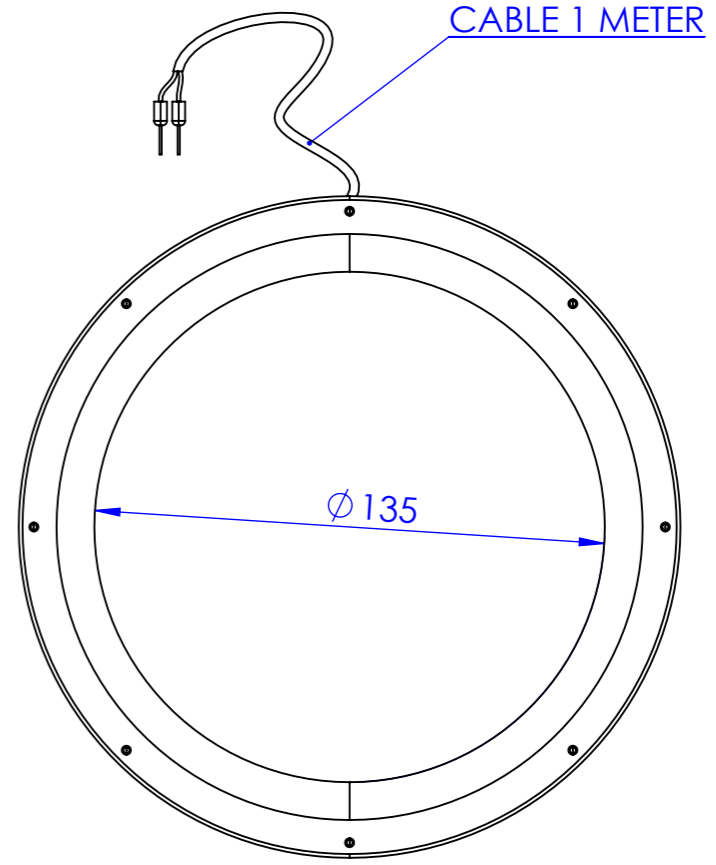
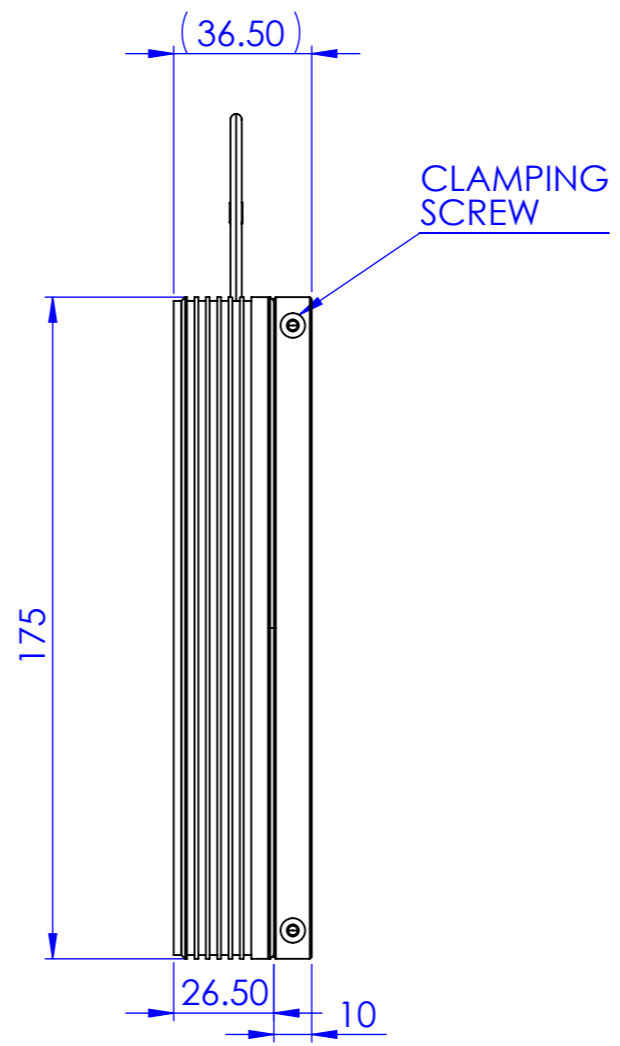
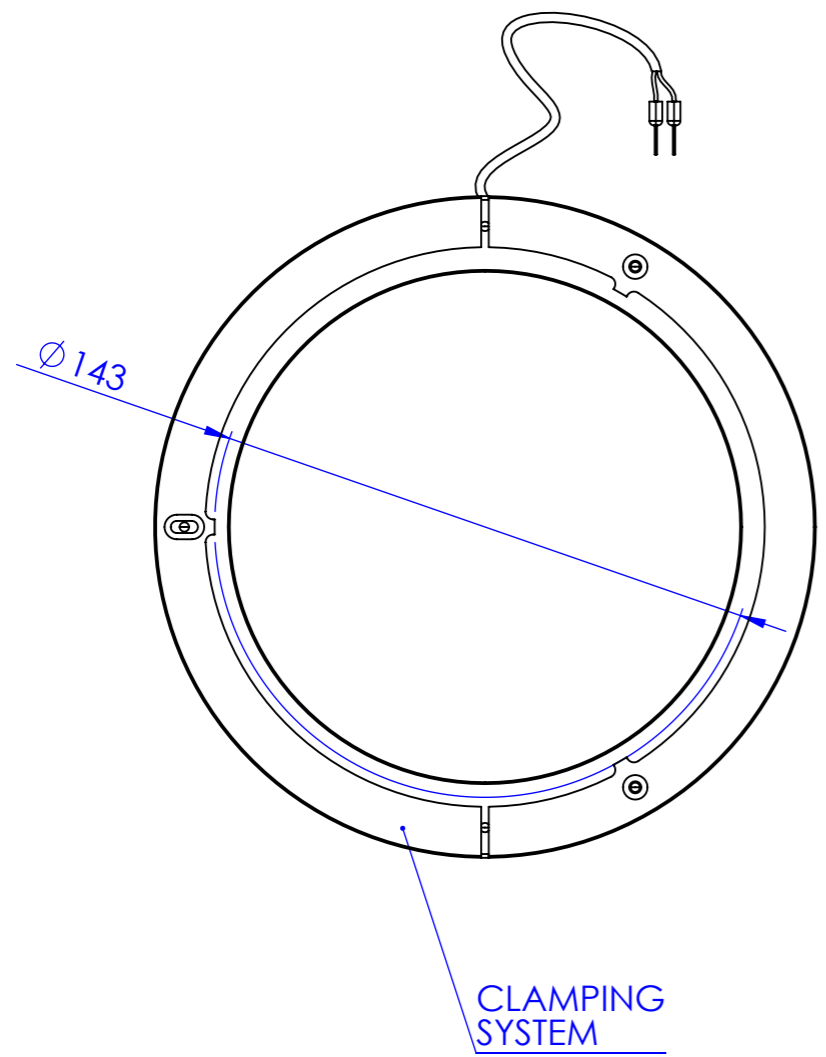
C

B

B

A

A



Material		N.A.		Mass		560 g		Scale		1:2		
Surface treatment		N.A.		Part No.		CO23565						
Geometrical tolerance (ISO 2768-2)								Class		K		Description
Linear tolerance (ISO 2768-2)								Class		m		
0.5 ±3	>3÷ 6	>6÷ 30	>30÷ 120	>120 ±400	>400÷ 1000	>1000 ±2000	>2000 ±4000	Undimensioned bevels		0.5x45°		LTRN165G45
±0.1	±0.1	±0.2	±0.3	±0.5	±0.8	±1.2	±2	Undimensioned radii		R 0.5		
<p>OPTO ENGINEERING S.r.l. - Mantova, Italy - Tel. +39 0376699111 - www.opto-e.com</p>		Date		Name		Drawing No.		Sheet		<p>Secret and confidential - All rights reserved - No copy, dissemination or circulation is allowed unless specifically authorized in writing by OPTO ENGINEERING S.r.l. - Any violation shall be legally prosecuted.</p>		
		Designed		Bertolucci		DP 23565-B		1/1				
		Drawn		18/12/2014		Rodella						

0 1 2 3 4 5 6 7 8 9 10

6

7

8