

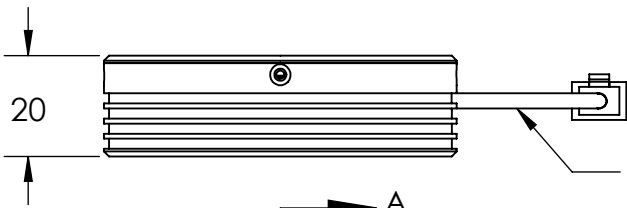
REVISIONS			
REV.	DESCRIPTIONS	EDIT BY	DATE:(d/m/y)
01	CUSTOMIZE NEW	AMMAR	13/8/2020
-	-	-	DD/MM/YYYY

4X TAP M3X0.5 - ∇ 4
NOT THRU

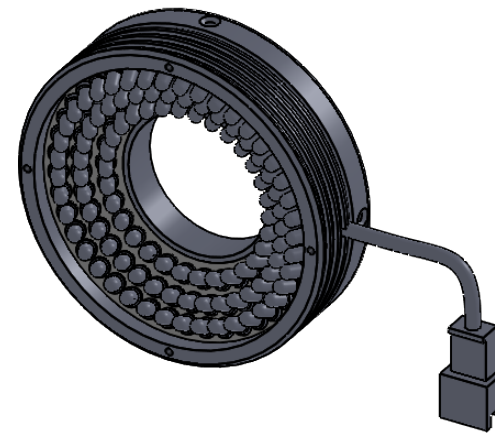
ϕ 56

ϕ 70

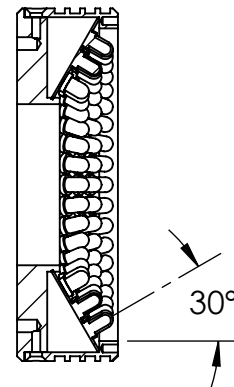
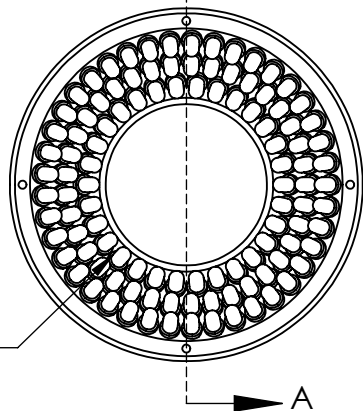
ϕ 32



(CONNECTOR)
CABLE 50CM



EMITTING AREA



SECTION A-A
SCALE 1 : 1.5

CUSTOMER APPROVED
& DATE



DESIGN BY	AMMAR
CHECK BY	KB TAN
DATE	13/8/2020
MATERIAL	-
FINISHING	-
QTY	-

UNIT:
MM
REVISION:
01
SCALE:
1 : 1

PRODUCT SERIES: SERIES - OPTO ENG

TITLE	DRAWING LAYOUT
PART NO	LTZGK070-30-3-W-24V
DWG NO	-

SHEET 1 OF 1