

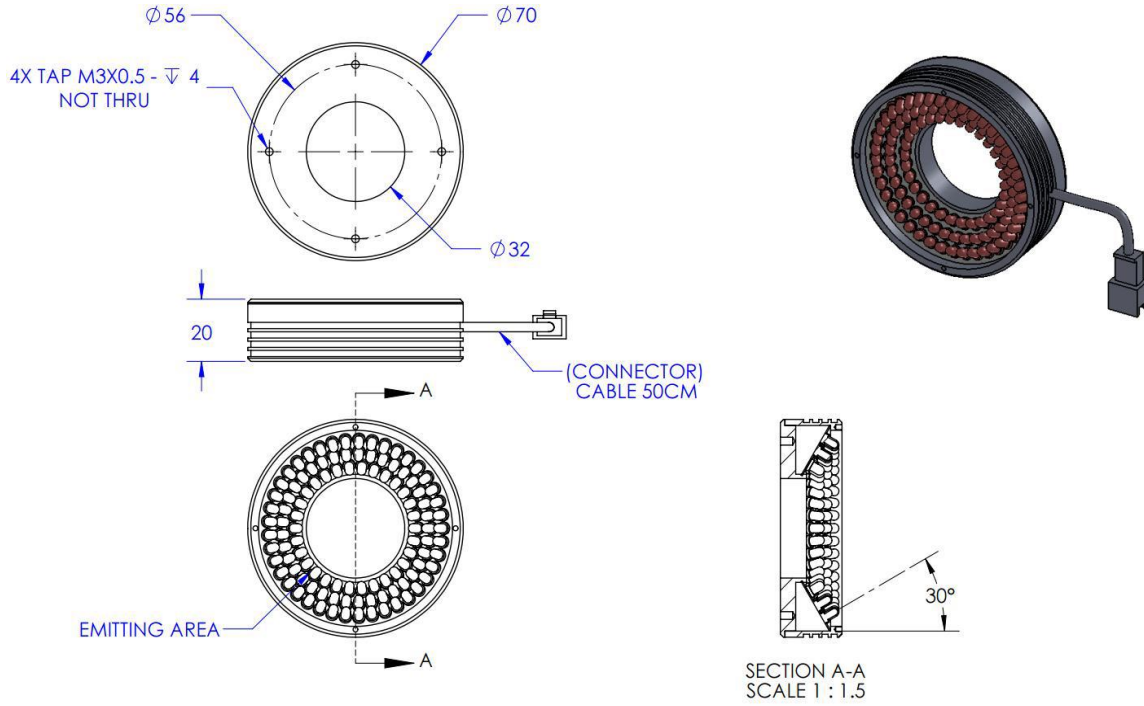


OPTO ENGINEERING

ILLUMINATOR DATA

LTZGK070-30-3-W-24V

Lighting Dimension




Mechanical Information	
Casing Material	Aluminium
Storage Temperature Range	Temp 0-45°C, Humidity 20-85%
Weight	120 g
Length / Outer Diameter	70 mm
Width / Inner Diameter	32 mm
Thickness/Height	20 mm



OPTO ENGINEERING

ILLUMINATOR DATA

LTZGK070-30-3-W-24V

Optical Information																							
Part Number		LTZGK070-30-3-W-24V																					
LED Color		WHITE																					
Wavelength	(nm)	* Refer to the Chromaticity Table Below																					
Intensity ($\pm 5\%$)	(Lux)	178600	152800 161400																				
Working Distance	(mm)	32	37 42																				
Illumination (number of row)		3																					
Illumination Active Area																							
Active Length / Outer Dia.	(mm)	63																					
Active Width / Inner Dia.		34.7																					
Emission angle	(deg.)	30																					
Eye Safety Class (IEC62471)		EXEMPT																					
*CHROMATICITY TABLE		<table border="1"> <tr> <td>X</td> <td>0.296</td> <td>0.287</td> <td>0.307</td> <td>0.311</td> </tr> <tr> <td>Y</td> <td>0.276</td> <td>0.295</td> <td>0.315</td> <td>0.294</td> </tr> </table>	X	0.296	0.287	0.307	0.311	Y	0.276	0.295	0.315	0.294	<table border="1"> <tr> <td>X</td> <td>0.311</td> <td>0.307</td> <td>0.33</td> <td>0.33</td> </tr> <tr> <td>Y</td> <td>0.294</td> <td>0.315</td> <td>0.339</td> <td>0.318</td> </tr> </table>	X	0.311	0.307	0.33	0.33	Y	0.294	0.315	0.339	0.318
X	0.296	0.287	0.307	0.311																			
Y	0.276	0.295	0.315	0.294																			
X	0.311	0.307	0.33	0.33																			
Y	0.294	0.315	0.339	0.318																			
Electrical Information																							
Lighting Supply Voltage (constant voltage mode)		24V \pm 2%																					
Continuous Current	(mA)	225																					
Power Consumption	(W)	5.4																					
Lighting casing temperature, after 60 minutes	Operating °C	89.3																					
Strobe Mode Specification																							
Pulse Operation		YES																					
Max. Lighting Supply Voltage (Constant voltage power supply)	(V)	Pulsing at 24VDC to 48VDC, 0-10% Duty Cycle Recommended at 36VDC																					
Pulse Current, (Max. 10msec) (Constant current power supply)	(mA)	675																					
Max. Trigger Pulse Duration	(msec)	10																					
Duty Cycle		0-10%																					
Additional Information																							
Additional Cooling Method		Attached to machine part for better heat dissipation																					
Intensity Controller Selection		ANG, ST, SD, SDA series																					
CE Conformity		YES																					
RoHS Compliance		YES																					
Connection																							
Connector Type (Default):		JST SMR-03V																					
Cable Length out from lighting :	(mm)	500																					
Pin Configuration :		Pin	Signal Cable Color																				
		1	LED + RED																				
		2	N.C. ---																				
		3	LED - WHITE																				
																							
Application																							
Illumination Type		Direct Illumination																					
Application Use		Substrate inspection, label inspection, flat surface, fiducially recognition																					