

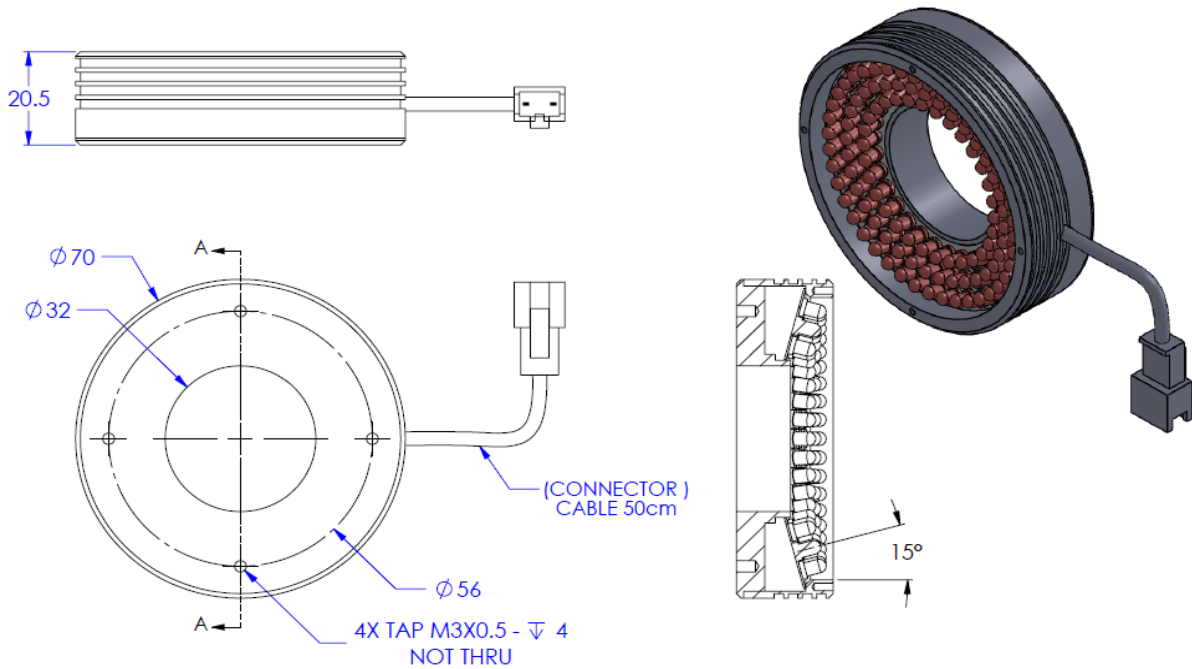


OPTO ENGINEERING

ILLUMINATOR DATA - ID

LTZGK070-15-3-W-24V


Lighting Dimension



| Mechanical Information | |
|---------------------------|------------------------------|
| Casing Material | Aluminium |
| Storage Temperature Range | Temp 0-45°C, Humidity 20-85% |
| Weight | 100 g |
| Length / Outer Diameter | 70 mm |
| Width / Inner Diameter | 32 mm |
| Thickness/Height | 20.5 mm |

ILLUMINATOR DATA - ID

LTZGK070-15-3-W-24V

| Optical Information | | LTZGK070-15-3-W-24V | | | | | | | | | | | | | | | | | | | | | |
|--|--------|---|--------------------|-------|-------|-------|-------|-------|-------|-------|------|------|---|-------|-------|-------|-------|---|-------|-------|-------|-------|--|
| Part Number | | LTZGK070-15-3-W-24V | | | | | | | | | | | | | | | | | | | | | |
| LED Color | | WHITE | | | | | | | | | | | | | | | | | | | | | |
| Wavelength | (nm) | *Refer to the Chromaticity Table below | | | | | | | | | | | | | | | | | | | | | |
| Intensity ($\pm 15\%$) | (Lux) | 62800 | 51000 42100 | | | | | | | | | | | | | | | | | | | | |
| Working Distance | (mm) | 75 | 85 95 | | | | | | | | | | | | | | | | | | | | |
| Illumination (number of row) | | 3 | | | | | | | | | | | | | | | | | | | | | |
| Illumination Active Area | | | | | | | | | | | | | | | | | | | | | | | |
| Active Length / Outer Dia. | (mm) | 67 | | | | | | | | | | | | | | | | | | | | | |
| Active Width / Inner Dia. | | 37 | | | | | | | | | | | | | | | | | | | | | |
| Emission angle | (deg.) | 15 | | | | | | | | | | | | | | | | | | | | | |
| Eye Safety Class (IEC62471) | | EXEMPT | | | | | | | | | | | | | | | | | | | | | |
| *CHROMATICITY TABLE | | <table border="1"> <tr> <td>X</td><td>0.296</td><td>0.287</td><td>0.307</td><td>0.311</td> <td>X</td><td>0.311</td><td>0.307</td><td>0.33</td><td>0.33</td> </tr> <tr> <td>Y</td><td>0.276</td><td>0.295</td><td>0.315</td><td>0.294</td> <td>Y</td><td>0.294</td><td>0.315</td><td>0.339</td><td>0.318</td> </tr> </table> | X | 0.296 | 0.287 | 0.307 | 0.311 | X | 0.311 | 0.307 | 0.33 | 0.33 | Y | 0.276 | 0.295 | 0.315 | 0.294 | Y | 0.294 | 0.315 | 0.339 | 0.318 | |
| X | 0.296 | 0.287 | 0.307 | 0.311 | X | 0.311 | 0.307 | 0.33 | 0.33 | | | | | | | | | | | | | | |
| Y | 0.276 | 0.295 | 0.315 | 0.294 | Y | 0.294 | 0.315 | 0.339 | 0.318 | | | | | | | | | | | | | | |
| Electrical Information | | | | | | | | | | | | | | | | | | | | | | | |
| Lighting Supply Voltage (constant voltage mode) | | 24V \pm 2% | | | | | | | | | | | | | | | | | | | | | |
| Continuous Current | (mA) | 240 | | | | | | | | | | | | | | | | | | | | | |
| Power Consumption | (W) | 5.76 | | | | | | | | | | | | | | | | | | | | | |
| Lighting casing temperature, Operating after 60 minutes | °C | 76.1 | | | | | | | | | | | | | | | | | | | | | |
| Strobe Mode Specification | | | | | | | | | | | | | | | | | | | | | | | |
| Pulse Operation | | YES | | | | | | | | | | | | | | | | | | | | | |
| Max. Lighting Supply Voltage (Constant voltage power supply) | (V) | Pulsing at 24VDC to 48VDC, 0-10% Duty Cycle Recommended at 36VDC | | | | | | | | | | | | | | | | | | | | | |
| Pulse Current, (Max. 10msec) (Constant current power supply) | (mA) | 720 | | | | | | | | | | | | | | | | | | | | | |
| Max. Trigger Pulse Duration | (msec) | 10 | | | | | | | | | | | | | | | | | | | | | |
| Duty Cycle | | 0-10% | | | | | | | | | | | | | | | | | | | | | |
| Additional Information | | | | | | | | | | | | | | | | | | | | | | | |
| Additional Cooling Method | | Attached to machine part for better heat dissipation | | | | | | | | | | | | | | | | | | | | | |
| Intensity Controller Selection | | ANG, ST, SD and SDA series | | | | | | | | | | | | | | | | | | | | | |
| CE Conformity | | YES | | | | | | | | | | | | | | | | | | | | | |
| RoHS Compliance | | YES | | | | | | | | | | | | | | | | | | | | | |
| Connection | | | | | | | | | | | | | | | | | | | | | | | |
| Connector Type (Default): | | JST SMR-03V | | | | | | | | | | | | | | | | | | | | | |
| Cable Length out from lighting : | (mm) | 500 | | | | | | | | | | | | | | | | | | | | | |
| Pin Configuration : | | Pin | Signal Cable Color | | | | | | | | | | | | | | | | | | | | |
| | | 1 | LED + RED | | | | | | | | | | | | | | | | | | | | |
| | | 2 | N.C. --- | | | | | | | | | | | | | | | | | | | | |
| | | 3 | LED - WHITE | | | | | | | | | | | | | | | | | | | | |
| | |  | | | | | | | | | | | | | | | | | | | | | |
| Application | | | | | | | | | | | | | | | | | | | | | | | |
| Illumination Type | | Direct Illumination | | | | | | | | | | | | | | | | | | | | | |
| Application Use | | Substrate inspection, label inspection, flat surface, fiducially recognition. | | | | | | | | | | | | | | | | | | | | | |