

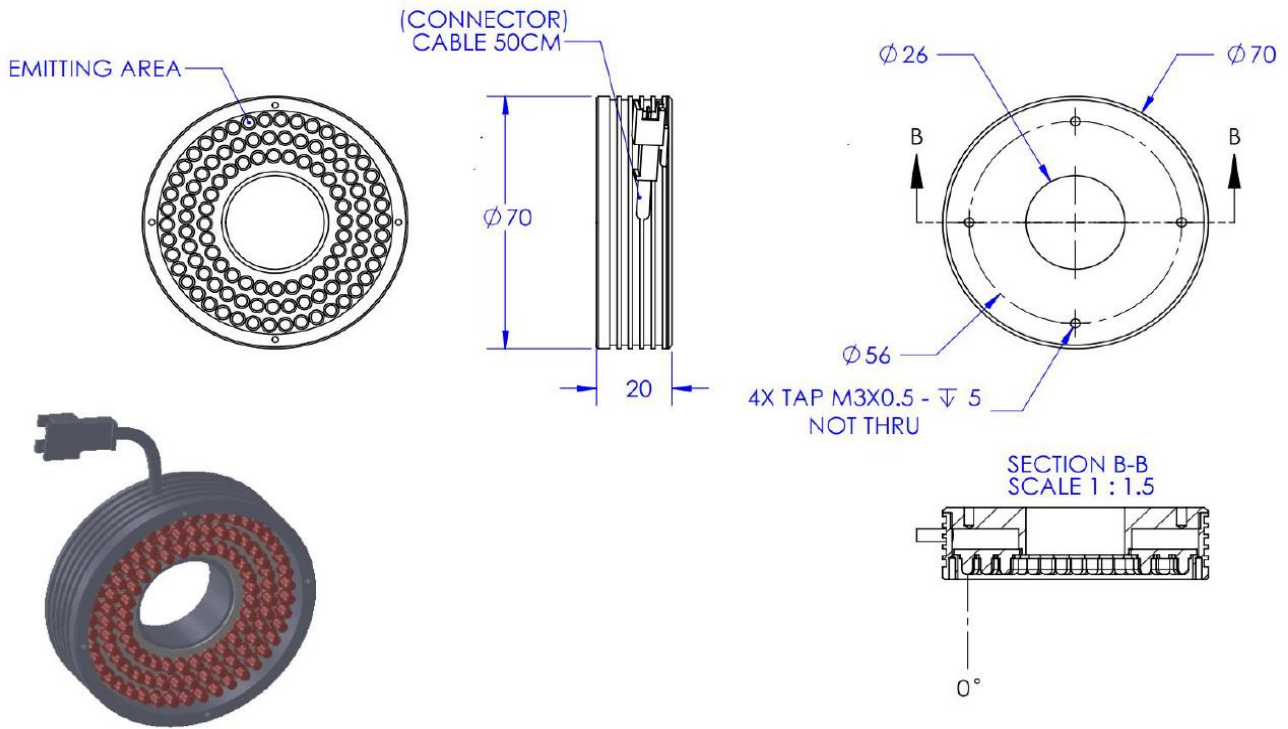


OPTO ENGINEERING

ILLUMINATOR DATA

LTZGK070-00-3-B-24V

Lighting Dimension




| Mechanical Information | |
|---------------------------|------------------------------|
| Casing Material | Aluminium |
| Storage Temperature Range | Temp 0-45°C, Humidity 20-85% |
| Weight | 120 g |
| Length / Outer Diameter | 70 mm |
| Width / Inner Diameter | 26 mm |
| Thickness/Height | 20.5 mm |



OPTO ENGINEERING

ILLUMINATOR DATA

LTZGK070-00-3-B-24V

| Optical Information | | | |
|---|--|---|-------------|
| Part Number | LTZGK070-00-3-B-24V | | |
| LED Color | BLUE | | |
| Wavelength | (nm) | 470 | |
| Intensity ($\pm 25\%$) | (Lux) | 15400 | 12600 10600 |
| Working Distance | (mm) | 75 | 85 95 |
| Illumination (number of row) | 3 | | |
| Illumination Active Area | | | |
| Active Length / Outer Dia. | (mm) | 62 | |
| Active Width / Inner Dia. | 28.2 | | |
| Emission angle | (deg.) | 0 | |
| Eye Safety Class (IEC62471) | II | | |
| *CHROMATICITY TABLE | | | |
| Electrical Information | | | |
| Lighting Supply Voltage (constant voltage mode) | | 24V \pm 2% | |
| Continuous Current | (mA) | 225 | |
| Power Consumption | (W) | 5.4 | |
| Lighting casing temperature, after 60 minutes | Operating °C | 61.4 | |
| Strobe Mode Specification | | | |
| Pulse Operation | | YES | |
| Max. Lighting Supply Voltage (Constant voltage power supply) | (V) | Pulsing at 24VDC to 48VDC, 0-10% Duty Cycle Recommended at 36VDC | |
| Pulse Current, (Max. 10msec) (Constant current power supply) | (mA) | 675 | |
| Max. Trigger Pulse Duration | (msec) | 10 | |
| Duty Cycle | 0-10% | | |
| Additional Information | | | |
| Additional Cooling Method | Attached to machine part for better heat dissipation | | |
| Intensity Controller Selection | ANG, ST, SD and SDA series | | |
| CE Conformity | YES | | |
| RoHS Compliance | YES | | |
| Connection | | | |
| Connector Type (Default): | JST SMR-03V | | |
| Cable Length out from lighting : | (mm) | 500 | |
| Pin Configuration : | | Pin | Signal |
| | | 1 | LED + |
| | | 2 | N.C. |
| | | 3 | LED - |
| | | | Cable Color |
| | | | RED |
| | | | --- |
| | | | WHITE |
|  | | | |
| Application | | | |
| Illumination Type | Direct Illumination | | |
| Application Use | Substrate inspection, label inspection, flat surface, fiducially recognition | | |