

1 2 3 4 5 6 7 8

D

C

B

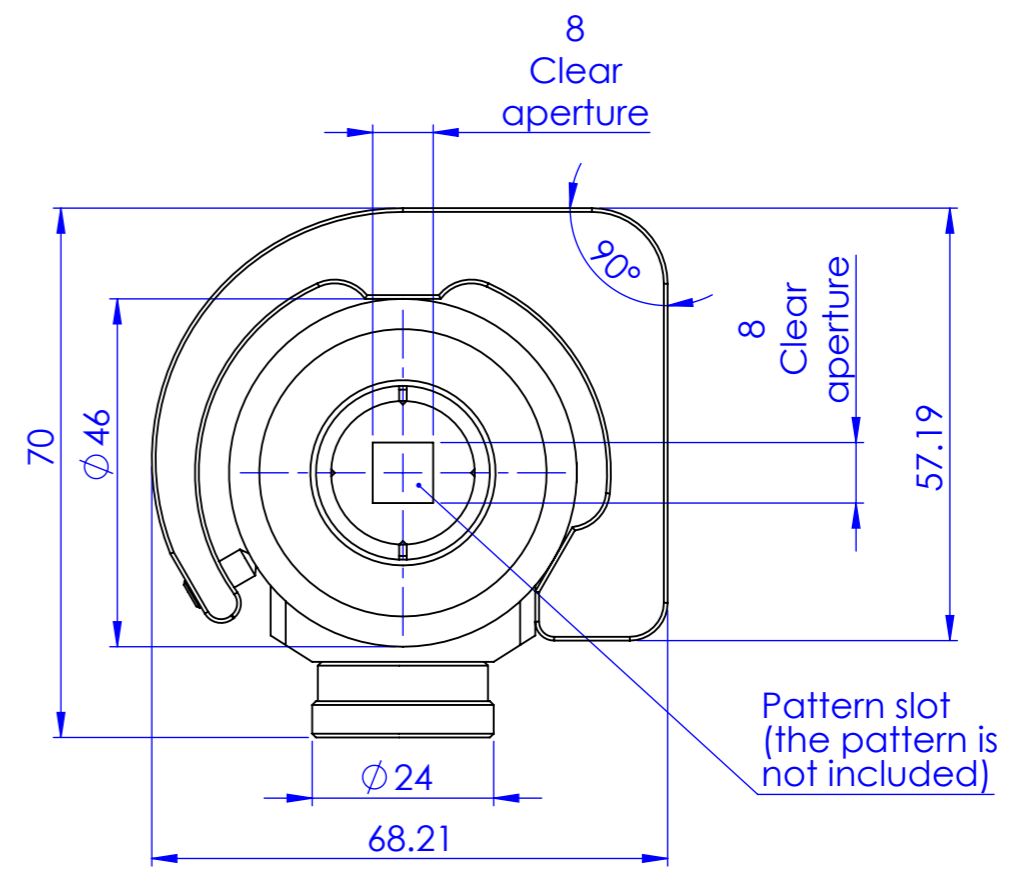
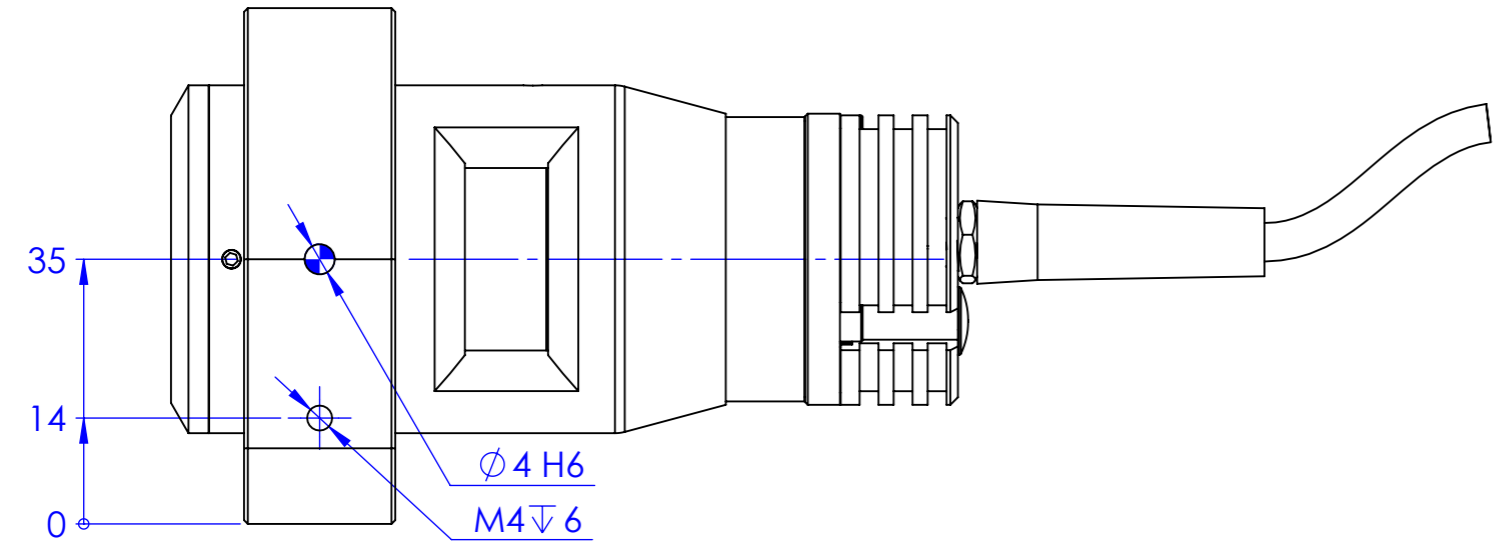
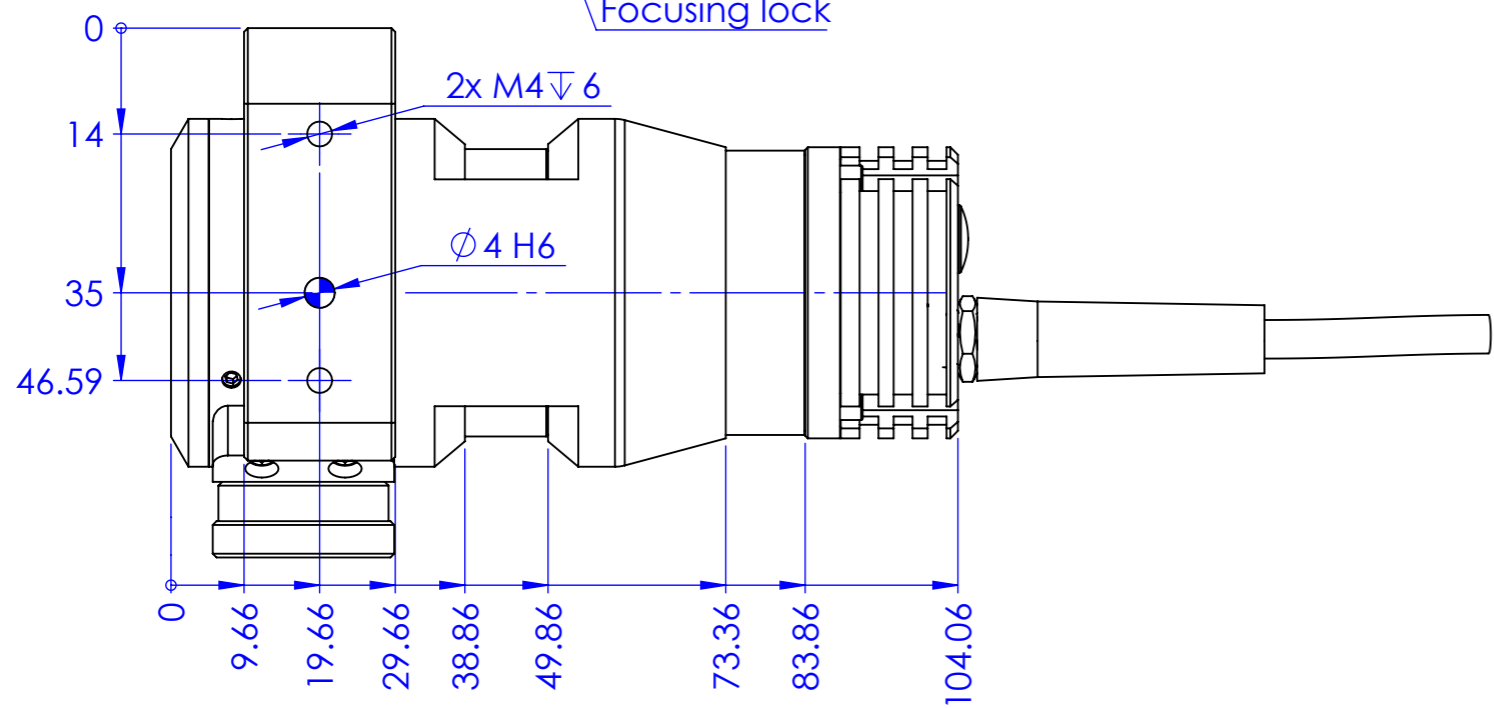
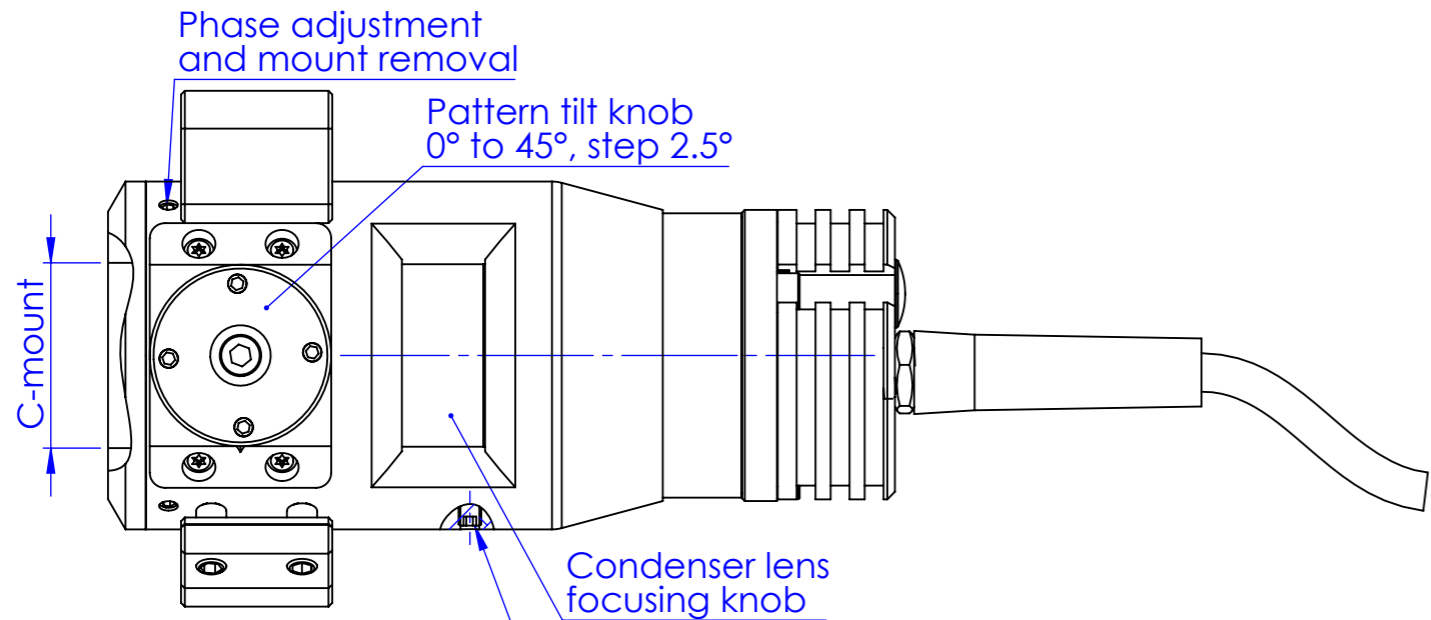
A

D

C

B

A



Material		Mass 349 g		Scale 1:1	
Surface treatment		Part No. CO71570		Description	
Geometrical tolerance (ISO 2768-2)		Class K		Undimensioned bevels 0.5x45°	
Linear tolerance (ISO 2768-2)		Class m		Undimensioned radii R 0.5	
0.5 ±3	>3± 6	>6± 30	>30± 120	>120 ±400	>400± 1000
±0.1	±0.1	±0.2	±0.3	±0.5	±0.8
Date		Name		Drawing No.	
Designed 23/12/2021		Ogrimaldo		DP 71570-B	
Drawn 23/12/2021		Ogrimaldo		Sheet 1/1	
Checked 21/01/2022		Rizzotto		Secret and confidential - All rights reserved - No copy, dissemination or circulation is allowed unless specifically authorized in writing by OPTO ENGINEERING S.r.l. - Any violation shall be legally prosecuted.	
OPTO ENGINEERING S.r.l. - Mantova, Italy - Tel. +39 0376699111 - www.opto-e.com					

1 2 3 0 1 2 3 4 5 6 7 8 6 7 8