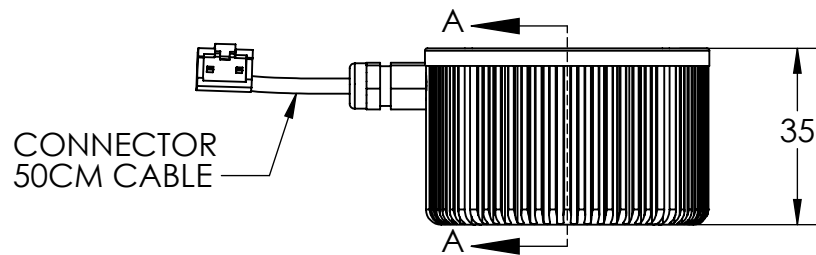
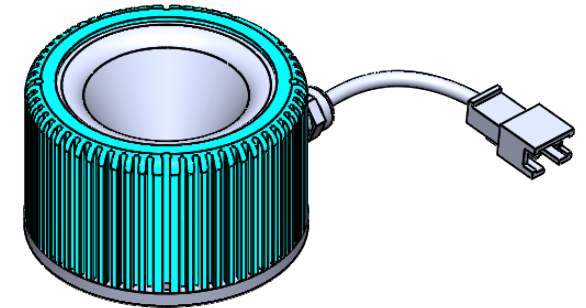
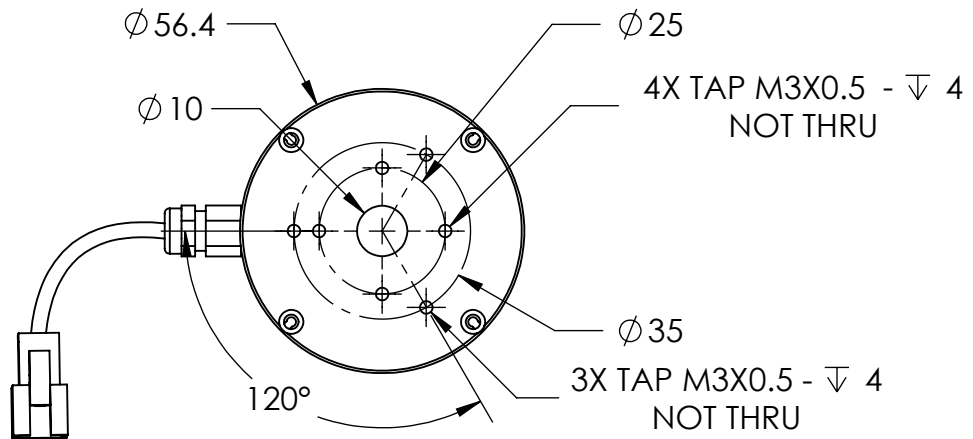
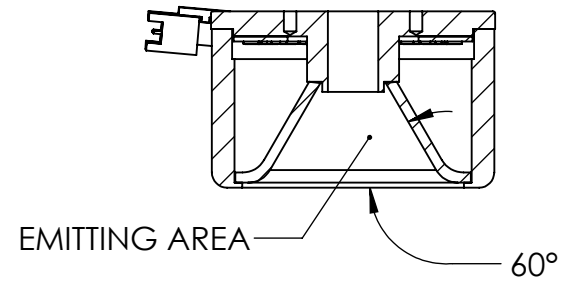


REVISIONS

ZONE	REV.	DESCRIPTIONS	DATE	APP.
------	------	--------------	------	------



SECTION A-A
SCALE 1 : 1.5



DESIGN BY	MUZAKKIR
CHECK BY	KB TAN
DATE	4/9/2019
MATERIAL	-
FINISHING	-
QTY	1

UNIT:	MM
REVISION:	01
SCALE:	1 : 1

PRODUCT SERIES : LT3RZF SERIES - OPTO ENG

TITLE	DRAWING LAYOUT	COLOUR:	-	-
PART NO	LT3RZF050-60-1-X-24V-AEX01	VOLTAGE:	-	-
DWG NO	-	CURRENT:	-	-
		POWER:	-	-
SHEET 1 OF 1				