

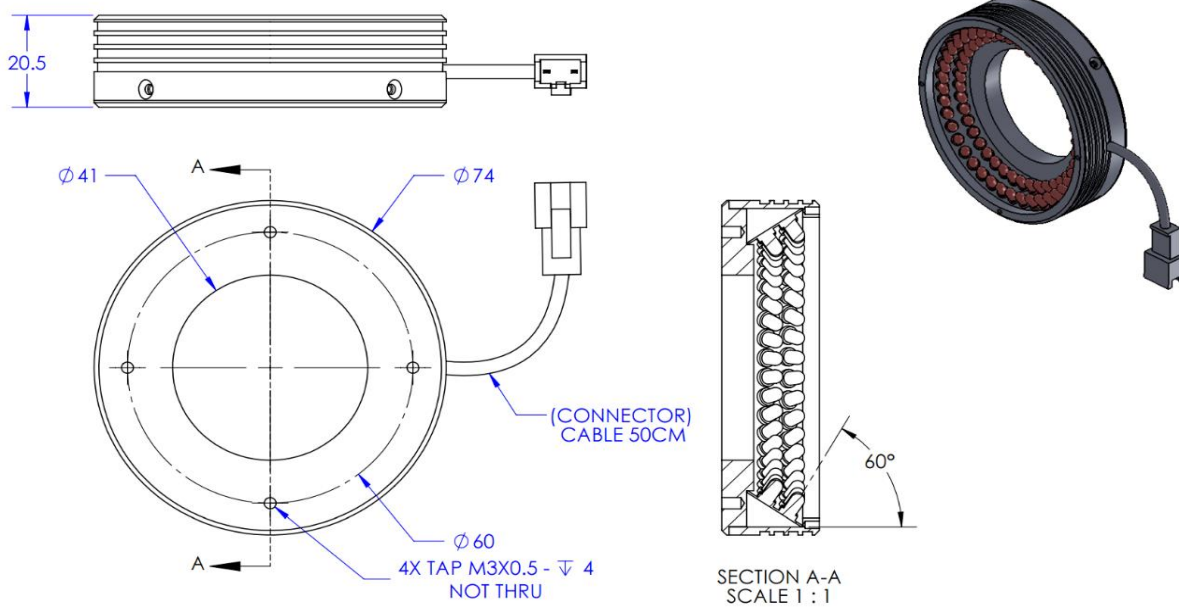


OPTO ENGINEERING

ILLUMINATOR DATA

LTZZ0070-60-2-W-24V

Lighting Dimension



Mechanical Information

| | |
|---------------------------|-----------|
| Casing Material | Aluminium |
| Storage Temperature Range | 0 - 45°C |
| Storage Humidity Range | 20 - 85% |
| Weight | 90g |
| Length / Outer Diameter | 74mm |
| Width / Inner Diameter | 41mm |
| Thickness / Height | 20.5mm |



OPTO ENGINEERING

ILLUMINATOR DATA

LTZZ0070-60-2-W-24V

| Lighting Information | | | | | | | | | | | | | | | | | | | | | | | |
|---|---|----------|----------|-------|-------|-------|---|-------|-------|-------|-------|---|---|-------|-------|------|------|---|-------|-------|-------|-------|--|
| Part Number | LTZZ0070-60-2-W-24V | | | | | | | | | | | | | | | | | | | | | | |
| LED Color | WHITE | | | | | | | | | | | | | | | | | | | | | | |
| Wavelength | REFER TO CHROMACITY TABLE | | | | | | | | | | | | | | | | | | | | | | |
| Working Distance | 5 mm | 10 mm | 15 mm | | | | | | | | | | | | | | | | | | | | |
| Intensity (±15%) | 144100 lx | 168500lx | 174700lx | | | | | | | | | | | | | | | | | | | | |
| Illumination (number of row) | 2 | | | | | | | | | | | | | | | | | | | | | | |
| Illumination Active Area | Active Length / Outer Dia. | 66.5 mm | | | | | | | | | | | | | | | | | | | | | |
| | Active Width / Inner Dia. | 41 mm | | | | | | | | | | | | | | | | | | | | | |
| Emission angle | 0 | | | | | | | | | | | | | | | | | | | | | | |
| Eye Safety Class (IEC62471) | EXEMPT | | | | | | | | | | | | | | | | | | | | | | |
| Chromaticity Table For White colour only | <table border="1"> <tr> <td>X</td> <td>0.296</td> <td>0.287</td> <td>0.307</td> <td>0.311</td> </tr> <tr> <td>Y</td> <td>0.276</td> <td>0.295</td> <td>0.315</td> <td>0.294</td> </tr> </table> | X | 0.296 | 0.287 | 0.307 | 0.311 | Y | 0.276 | 0.295 | 0.315 | 0.294 | <table border="1"> <tr> <td>X</td> <td>0.311</td> <td>0.307</td> <td>0.33</td> <td>0.33</td> </tr> <tr> <td>Y</td> <td>0.294</td> <td>0.315</td> <td>0.339</td> <td>0.318</td> </tr> </table> | X | 0.311 | 0.307 | 0.33 | 0.33 | Y | 0.294 | 0.315 | 0.339 | 0.318 | |
| X | 0.296 | 0.287 | 0.307 | 0.311 | | | | | | | | | | | | | | | | | | | |
| Y | 0.276 | 0.295 | 0.315 | 0.294 | | | | | | | | | | | | | | | | | | | |
| X | 0.311 | 0.307 | 0.33 | 0.33 | | | | | | | | | | | | | | | | | | | |
| Y | 0.294 | 0.315 | 0.339 | 0.318 | | | | | | | | | | | | | | | | | | | |

| Electrical Information | |
|---|---------|
| Rated Constant Voltage | 24V±2% |
| Rated Constant Current | 195mA |
| Power Consumption | 4.68W |
| Casing temperature, After 60 minutes operation | 49.8 °C |


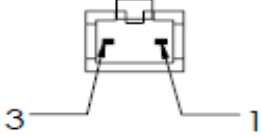
| Strobe Mode Specification | |
|-------------------------------|------------------------------|
| *Normal Strobe Voltage | 24 V |
| *Normal Strobe Current | 195 mA |
| Overdrive Voltage Range | Min: 36V Max: 48V |
| Overdrive Current Range | Min: 0.72 A Max: 1.27 A |
| Recommended Overdrive Voltage | 36V |
| **Max. Trigger Pulse Duration | 10 msec |
| **Max. Duty Cycle | 10% |

*Normal strobe means the lighting is operated using the rated power. Overdrive means the power supplied to the lighting exceeded the rated power.

**Overdrive condition must not exceed the max. trigger pulse duration and max. duty cycle.

ILLUMINATOR DATA

LTZZ0070-60-2-W-24V

| Connection Information | | | |
|--|-------------|--------|--------------|
| Connector Type (Default) | JST SMR-03V | | |
| Cable Length | 50 cm | | |
| Pin Configuration  | Pin | Signal | Cable Colour |
| | 1 | LED + | Red |
| | 2 | N.C | - |
| | 3 | LED - | White |
|  | | | |

| Additional Information | |
|--------------------------------|--|
| Additional Cooling Method | Attached to machine part for better heat dissipation |
| Intensity Controller Selection | SD, ST, ANG, LC, SDA, SDP series |
| CE Conformity | YES |
| RoHS Compliance | YES |

| Application | |
|-------------------|--|
| Illumination Type | Direct Illumination |
| Application Use | Edge Detection, Scratched On Metal or Glossy Surface |



OPTO ENGINEERING

ILLUMINATOR DATA

LTZZ0070-60-2-W-24V

| Lighting Pattern | | | | |
|-------------------|--------------|-----------|----------|-----------|
| Working Distance | 10mm | | | |
| Display and Image | | | | |
| Data Results | Horizontal | Meas.(mm) | Vertical | Meas.(mm) |
| | 90% | 26 | 90% | 28 |
| | 80% | 31 | 80% | 32 |
| | 70% | 35 | 70% | 36 |
| | 60% | 38 | 60% | 40 |
| | 50% | 42 | 50% | 43 |
| | 40% | 46 | 40% | 46 |
| | 30% | 49 | 30% | 50 |
| | 20% | 55 | 20% | 56 |
| | 10% | 64 | 10% | 66 |
| Max | Meas.(cd/m2) | | | |
| | 26424.576 | | | |