

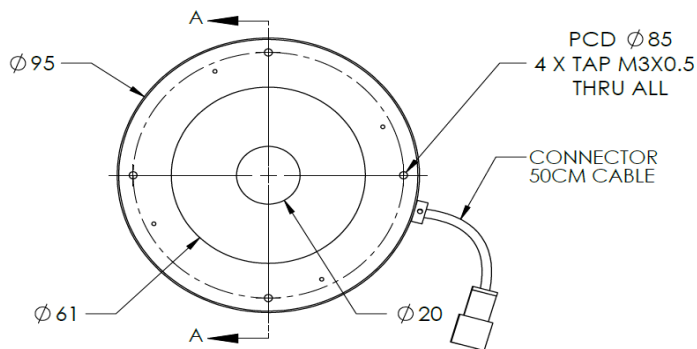
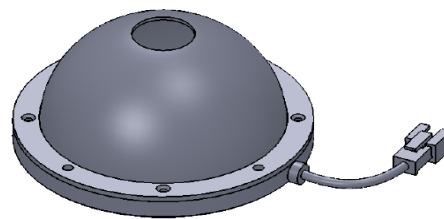
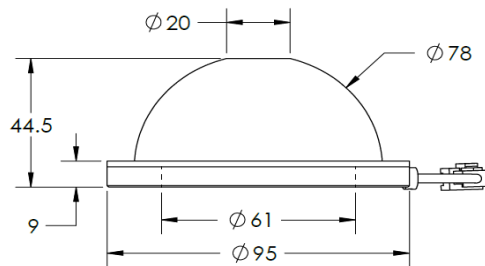


OPTO ENGINEERING

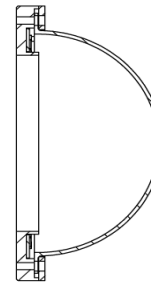
# ILLUMINATOR DATA

## LT5WRG070-00-1-W-24V

### Lighting Dimension



SECTION A-A  
SCALE 1 : 1.5



**ROHS** **CE**  
COMPLIANT

### Mechanical Information

Casing Material	Aluminium
Storage Temperature Range	0 - 45°C
Storage Humidity Range	20 - 85%
Weight	115 g
Length / Outer Diameter	95 mm
Width / Inner Diameter	20 mm
Thickness / Height	44.5 mm



OPTO ENGINEERING

# ILLUMINATOR DATA

## LT5WRG070-00-1-W-24V

Lighting Information																														
Part Number	LT5WRG070-00-1-W-24V																													
LED Color	WHITE																													
Wavelength	REFER TO CHROMACITY TABLE																													
Working Distance	20 mm	30 mm	60 mm																											
Intensity (±15%)	96100 lx	65500 lx	25000 lx																											
Illumination (number of row)	1																													
Illumination Active Area	Active Length / Outer Dia.			61 mm																										
	Active Width / Inner Dia.			20 mm																										
Emission angle	0																													
Eye Safety Class ( IEC62471 )	EXEMPT																													
Chromaticity Table	<table border="1"><tbody><tr><td>X</td><td>0.296</td><td>0.287</td><td>0.307</td><td>0.311</td><td>X</td><td>0.311</td><td>0.307</td><td>0.33</td><td>0.33</td></tr><tr><td>Y</td><td>0.276</td><td>0.295</td><td>0.315</td><td>0.294</td><td>Y</td><td>0.294</td><td>0.315</td><td>0.339</td><td>0.318</td></tr></tbody></table>										X	0.296	0.287	0.307	0.311	X	0.311	0.307	0.33	0.33	Y	0.276	0.295	0.315	0.294	Y	0.294	0.315	0.339	0.318
X	0.296	0.287	0.307	0.311	X	0.311	0.307	0.33	0.33																					
Y	0.276	0.295	0.315	0.294	Y	0.294	0.315	0.339	0.318																					
For White colour only																														

Electrical Information	
Rated Constant Voltage	24V±2%
Rated Constant Current	490 mA
Power Consumption	11.76 W
Casing temperature, After 60 minutes operation	60 °C

Strobe Mode Specification	
*Normal Strobe Voltage	24 V
*Normal Strobe Current	490 mA
Overdrive Voltage Range	Min: 36V      Max: 48V
Overdrive Current Range	Min: 1.76 A      Max: 2.52 A
Recommended Overdrive Voltage	36V
**Max. Trigger Pulse Duration	10 msec
**Max. Duty Cycle	10%

\*Normal strobe means the lighting is operated using the rated power. Overdrive means the power supplied to the lighting exceeded the rated power.


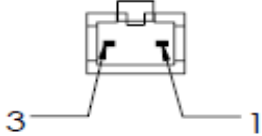
\*\*Overdrive condition must not exceed the max. trigger pulse duration and max. duty cycle.



OPTO ENGINEERING

# ILLUMINATOR DATA

## LT5WRG070-00-1-W-24V

Connection Information			
Connector Type (Default)	JST SMR-03V		
Cable Length	50 cm		
Pin Configuration  	Pin	Signal	Cable Colour
	1	LED +	Red
	2	N.C	-
	3	LED -	White
			

Additional Information	
Additional Cooling Method	Attached to machine part for better heat dissipation
Intensity Controller Selection	SD, ST, ANG, LC, SDA, SDP series
CE Conformity	YES
RoHS Compliance	YES

Application	
Illumination Type	Indirect Dome Illumination
Application Use	Cracks, Chips, Stains & Marks on Circular or Cylindrical Objects Inspection, Solder and Substrate Inspection.



OPTO ENGINEERING

# ILLUMINATOR DATA

## LT5WRG070-00-1-W-24V

Lighting Pattern				
Working Distance	For further details please contact us.			
Display and Image				
Data Results	Horizontal	Meas.(mm)	Vertical	Meas.(mm)
	90%		90%	
	80%		80%	
	70%		70%	
	60%		60%	
	50%		50%	
	40%		40%	
	30%		30%	
	20%		20%	
	10%		10%	