

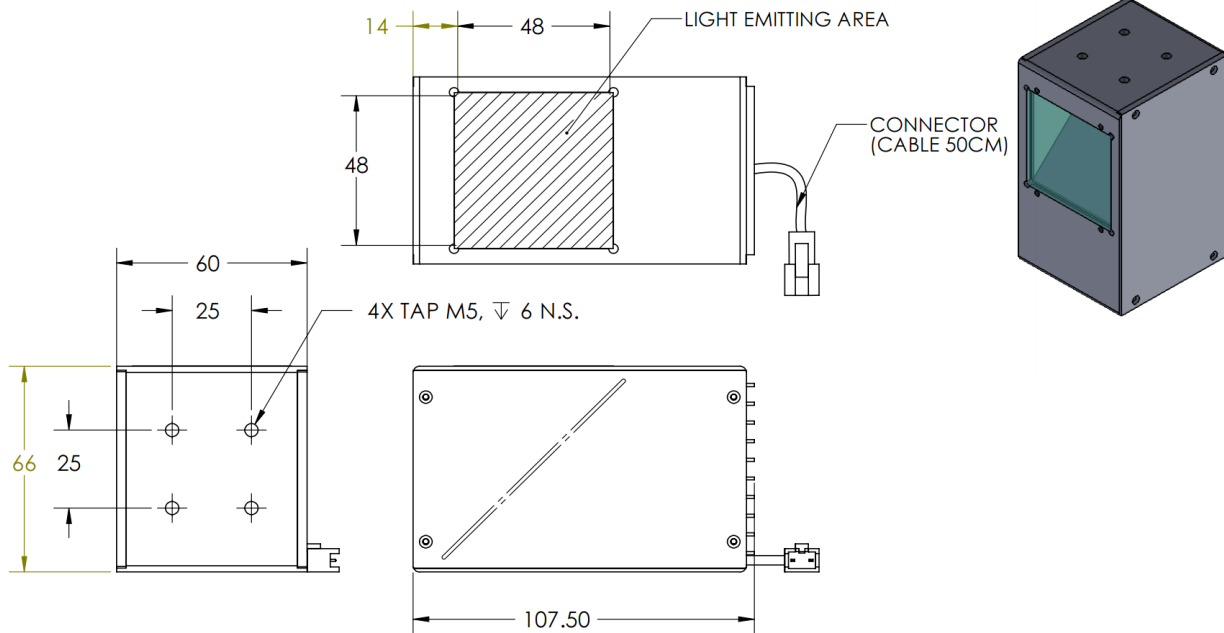


OPTO ENGINEERING

# ILLUMINATOR DATA - ID

## LT2QOG040-00-X-G-24V

### Lighting Dimension




Mechanical Information	
Casing Material	Aluminium
Storage Temperature Range	Temp 0 - 45°C, Humidity 20-85%
Weight	360 g
Length / Outer Diameter	107.5 mm
Width / Inner Diameter	60 mm
Thickness/Height	66 mm



OPTO ENGINEERING

# ILLUMINATOR DATA - ID

## LT2QOG040-00-X-G-24V

Optical Information			
Part Number	LT2QOG040-00-X-G-24V		
LED Color	GREEN		
Wavelength	(nm)	525	
Intensity ( $\pm 15\%$ )	(Lux)	11100	7860 4530
Working Distance	(mm)	20	30 50
Illumination (number of row)	X		
Illumination Active Area			
Active Length / Outer Dia.	(mm)	48	
Active Width / Inner Dia.	48		
Emission angle	(deg.)	0	
Eye Safety Class ( IEC62471 )	EXEMPT		
Electrical Information			
Lighting Supply Voltage (constant voltage mode)		24V $\pm$ 2%	
Continuous Current	(mA)	350	
Power Consumption	(W)	8.4	
Lighting casing temperature, Operating after 60 minutes	°C	57.5	
Strobe Mode Specification			
Pulse Operation	YES		
Max. Lighting Supply Voltage (Constant voltage power supply)	(V)	Pulsing at 24VDC to 48VDC, 0-10% Duty Cycle, Recommended at 36VDC	
Pulse Current, (Max. 10msec) (Constant current power supply)	(mA)	1050	
Max. Trigger Pulse Duration	(msec)	10	
Duty Cycle	0-10%		
Additional Information			
Additional Cooling Method	Attached to machine part for better heat dissipation		
Intensity Controller Selection	ANG, ST, SD and SDA Series		
CE Conformity	YES		
RoHS Compliance	YES		
Connection			
Connector Type (Default):	JST SMR-03V		
Cable Length out from lighting :	(mm)	500	
Pin Configuration :		Pin	Signal
		1	LED +
		2	N.C.
		3	LED -
			Cable Color
			RED
			---
			WHITE
			
Application			
Illumination Type	Coaxial Illumination		
Application Use	Surface inspection and alignment, wafer, metal surface, film, LCD and glass, pattern on PCB.		