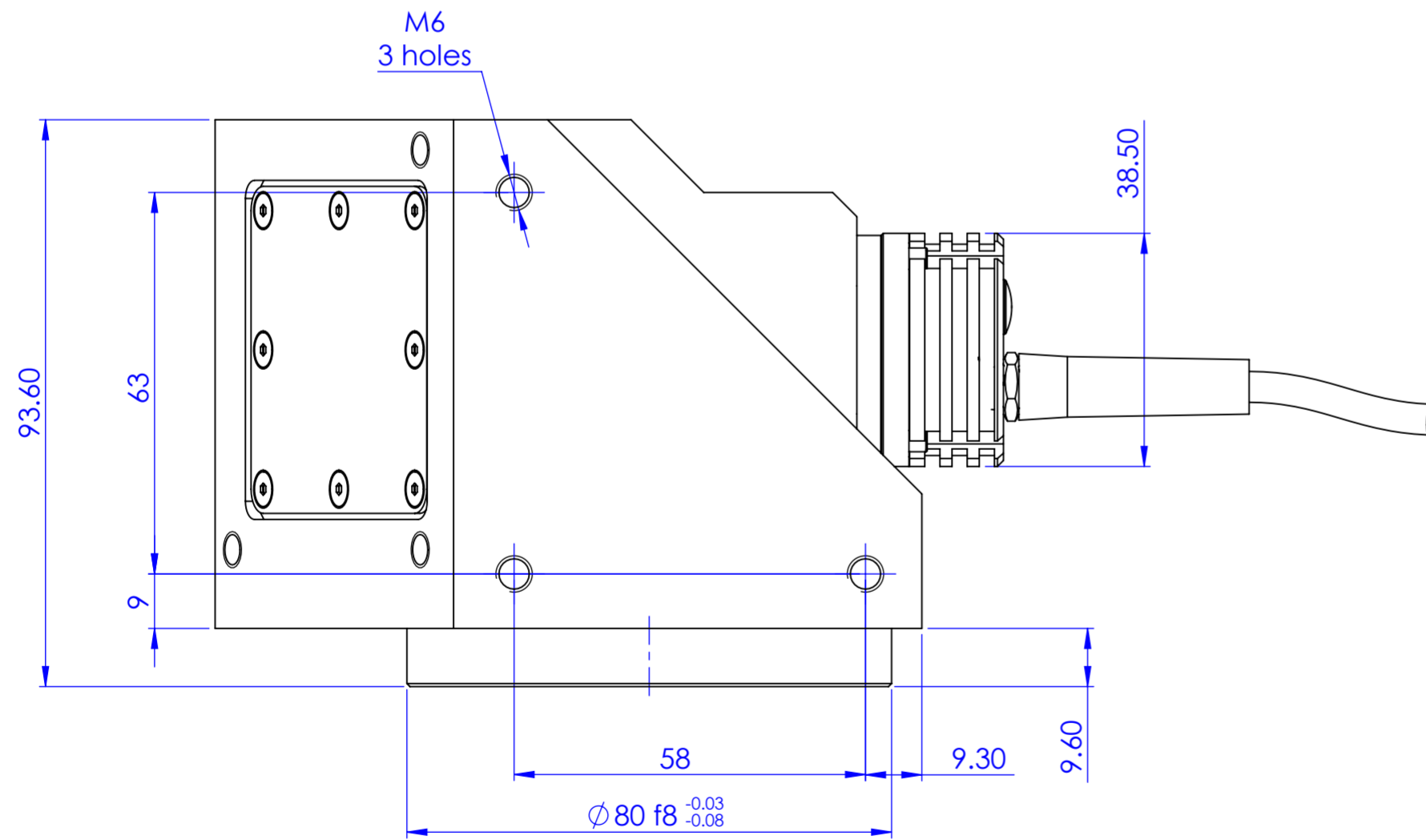
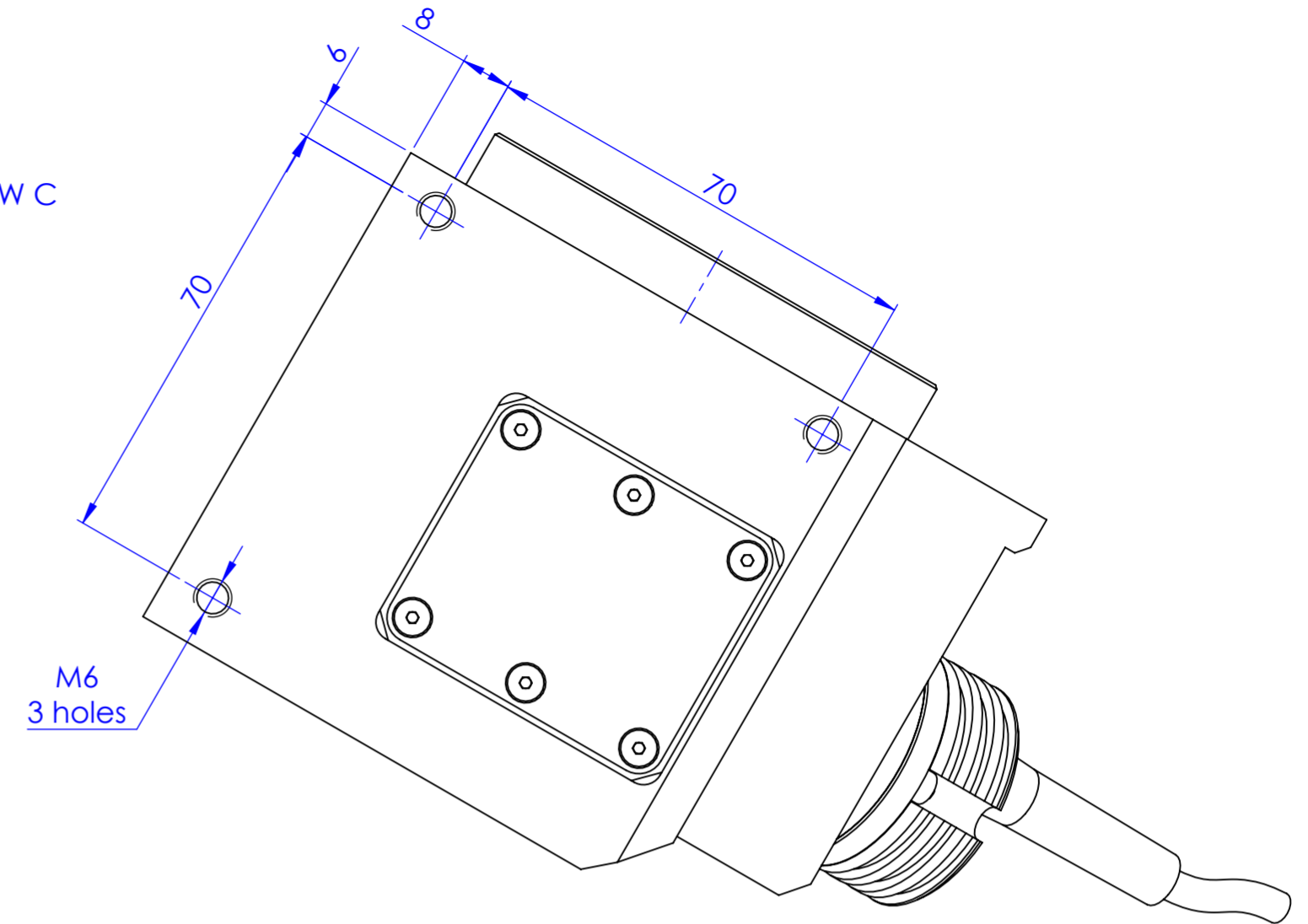
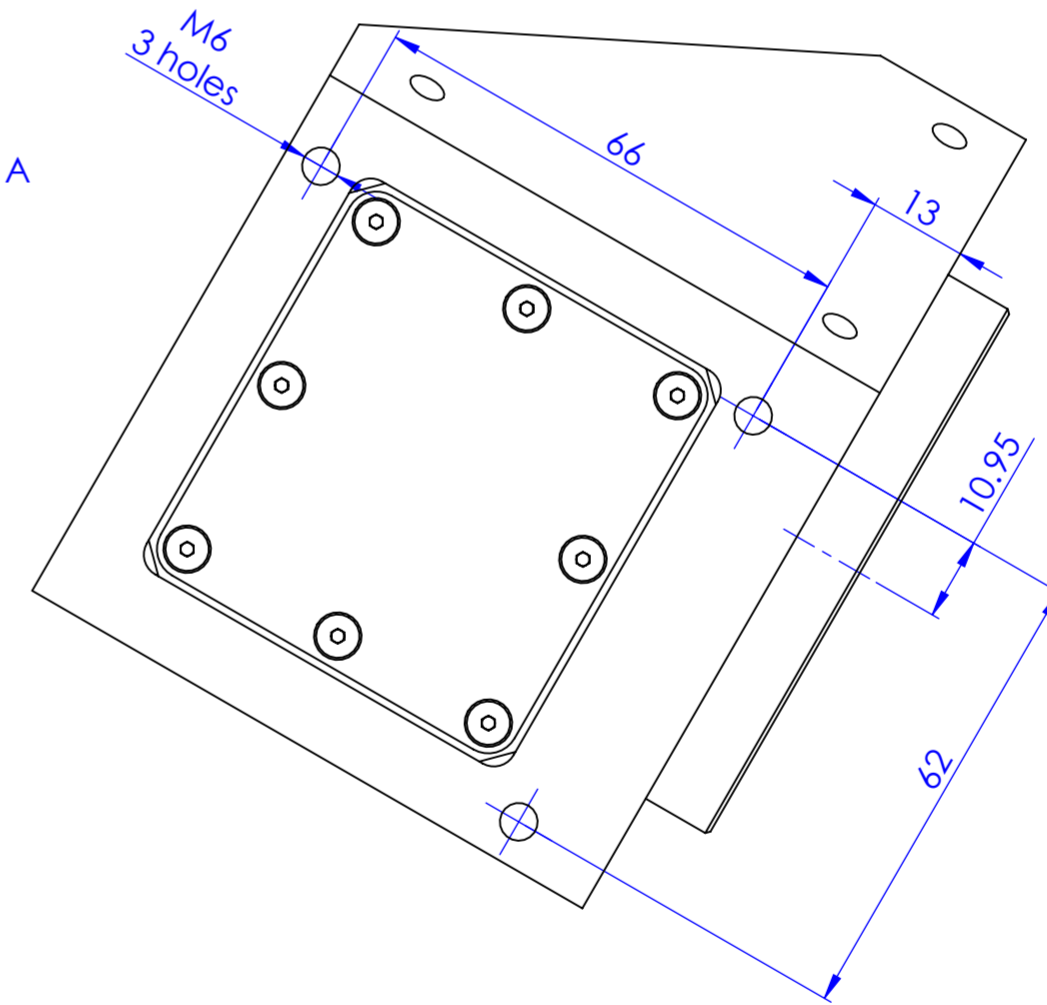


VIEW C



VIEW A



Material		N.A.		Mass 1469 g		Scale 1:1		
Surface treatment		N.A.		Part No. CO24305				
Geometrical tolerance (ISO 2768-2)				Class	K	Undimensioned bevels	0.5x45°	
Linear tolerance (ISO 2768-2)				Class	m	Undimensioned radii	R 0.5	
0.5	>3+	>6+	>30+	>120	>400+	>1000	>2000	
+3	6	30	120	+400	1000	+2000	+4000	
±0.1	±0.1	±0.2	±0.3	±0.5	±0.8	±1.2	±2	
 <b>OPTO ENGINEERING</b>				Date	Name	Description		
				Designed	13/05/2015	Vasconetto	LTCLCR056-W	
				Drawn	24/07/2015	Rodella	Drawing No. DP 24305-B	
Checked						Sheet 1/1		
OPTO ENGINEERING S.r.l. - Mantova, Italy - Tel. +39 0376699111 - www.opto-e.com								

*Secret and confidential - All rights reserved - No copy, dissemination or circulation is allowed unless specifically authorized in writing by OPTO ENGINEERING S.r.l. - Any violation shall be legally prosecuted.*