

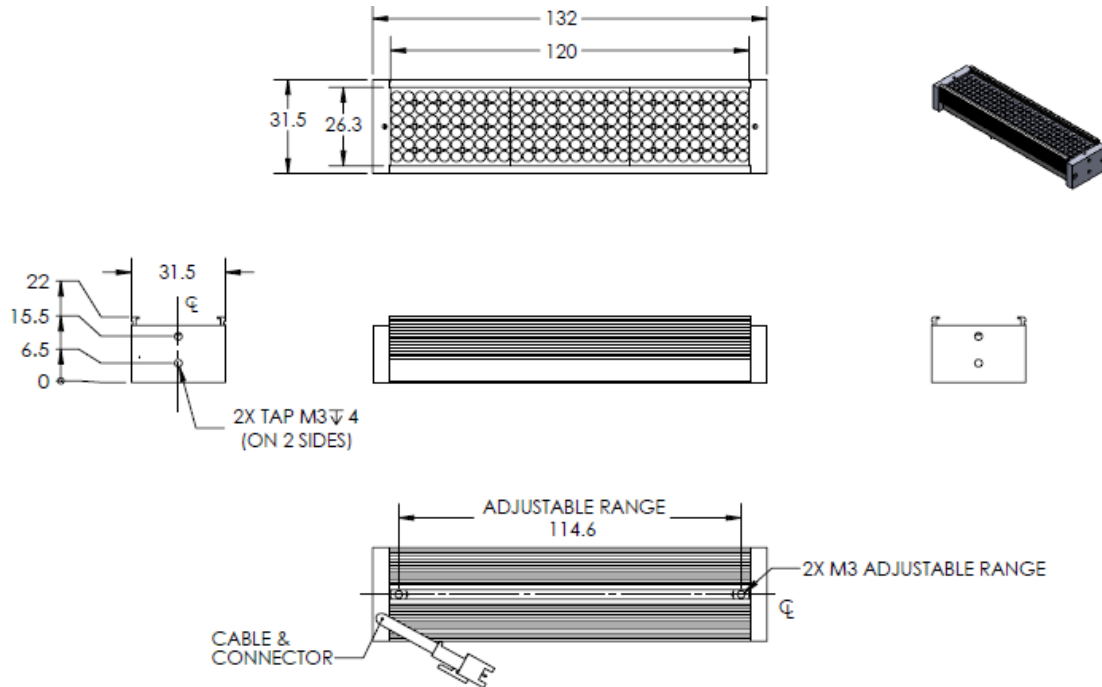


OPTO ENGINEERING

ILLUMINATOR DATA - ID

LTZPFL120-00-6-R-24V

Lighting Dimension




Mechanical Information	
Casing Material	Aluminium
Storage Temperature Range	Temp 0-45°C, Humidity 20-85%
Weight	130 g
Length / Outer Diameter	132 mm
Width / Inner Diameter	31.5 mm
Thickness/Height	22 mm

ILLUMINATOR DATA - ID

LTZPFL120-00-6-R-24V

Optical Information			
Part Number	LTZPFL120-00-6-R-24V		
LED Color	RED		
Wavelength	(nm)	630	
Intensity ($\pm 15\%$)	(Lux)	11810	8610 6960
Working Distance	(mm)	100	130 150
Illumination (number of row)	6		
Illumination Active Area			
Active Length / Outer Dia.	(mm)	120	
Active Width / Inner Dia.	26.3		
Emission angle	(deg.)	0	
Eye Safety Class (IEC62471)	EXEMPT		
Electrical Information			
Lighting Supply Voltage (constant voltage mode)		24V \pm 2%	
Continuous Current	(mA)	234	
Power Consumption	(W)	5.62	
Lighting casing temperature, Operating after 60 minutes	°C	56.2	
Strobe Mode Specification			
Pulse Operation	YES		
Max. Lighting Supply Voltage (Constant voltage power supply)	(V)	Pulsing at 24VDC to 48VDC, 0-10% Duty Cycle Recommended at 36VDC	
Pulse Current, (Max. 10msec) (Constant current power supply)	(mA)	702	
Max. Trigger Pulse Duration	(msec)	10	
Duty Cycle	0-10%		
Additional Information			
Additional Cooling Method	Attached to machine part for better heat dissipation		
Intensity Controller Selection	ANG, ST, SD and SDA series		
CE Conformity	YES		
RoHS Compliance	YES		
Connection			
Connector Type (Default):	JST SMR-03V		
Cable Length out from lighting :	(mm)	500	
Pin Configuration :		Pin	Signal
		1	LED +
		2	N.C.
		3	LED -
			Cable Color
			RED

			WHITE
			
Application			
Illumination Type	Direct Illumination		
Application Use	General illumination, label inspection, character inspection, code recognition		