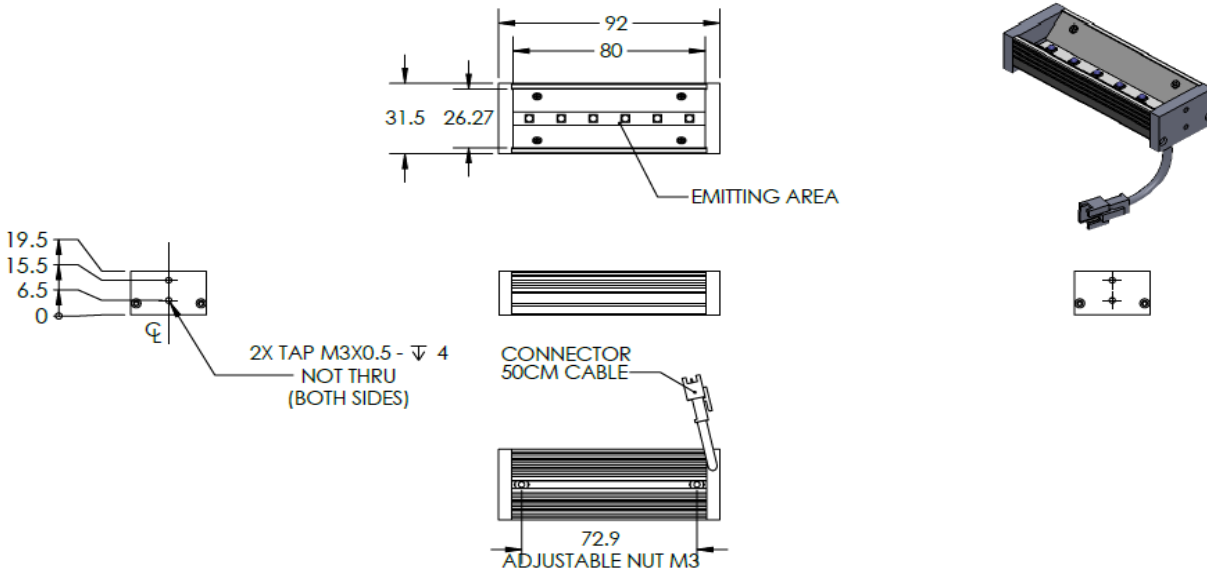


# ILLUMINATOR DATA

## LTZPFL080-00-1-UV365-24V

### Lighting Dimension




Mechanical Information	
Casing Material	Aluminium
Storage Temperature Range	Temp 0-45°C, Humidity 20-85%
Weight	95 g
Length / Outer Diameter	92 mm
Width / Inner Diameter	31.5 mm
Thickness/Height	19.5 mm



OPTO ENGINEERING

# ILLUMINATOR DATA

## LTZPFL080-00-1-UV365-24V

Optical Information			
Part Number		LTZPFL080-00-1-UV365-24V	
LED Color		UV	
Wavelength	(nm)	365	
Intensity ( $\pm 15\%$ )	(Lux)	NA	
Working Distance	(mm)	NA	
Illumination (number of row)		1	
Illumination Active Area			
Active Length / Outer Dia.	(mm)	80	
Active Width / Inner Dia.		26.27	
Emission angle	(deg.)	0	
Eye Safety Class ( IEC62471 )		TBA	
*CHROMATICITY TABLE			
Electrical Information			
Lighting Supply Voltage (constant voltage mode)	(constant)		24V $\pm$ 2%
Continuous Current	(mA)	100	
Power Consumption	(W)	2.4	
Lighting casing temperature, 60 minutes	Operating after 60 minutes	°C	58.3
Strobe Mode Specification			
Pulse Operation		YES	
Max. Lighting Supply Voltage (Constant voltage power supply)	(Constant)	(V)	Pulsing at 24VDC to 48VDC, 0-10% Duty Cycle Recommended at 36VDC
Pulse Current, (Max. 10msec) (Constant current power supply)	(Constant)	(mA)	300
Max. Trigger Pulse Duration		(msec)	10
Duty Cycle			0-10%
Additional Information			
Additional Cooling Method		Attached to machine part for better heat dissipation	
Intensity Controller Selection		ANG, ST, SD and SDA Series	
CE Conformity		YES	
RoHS Compliance		YES	
Connection			
Connector Type (Default):		JST SMR-03V	
Cable Length out from lighting :	(mm)	500	
Pin Configuration :		Pin	Signal
		1	LED +
		2	N.C.
		3	LED -
			Cable Color
			RED
			---
			WHITE
			
Application			
Illumination Type		Direct Illumination	
Application Use		General illumination, label inspection, character inspection, code recognition.	

UV Wavelength

Spectrum

