

1 2 3 4 5 6 7 8

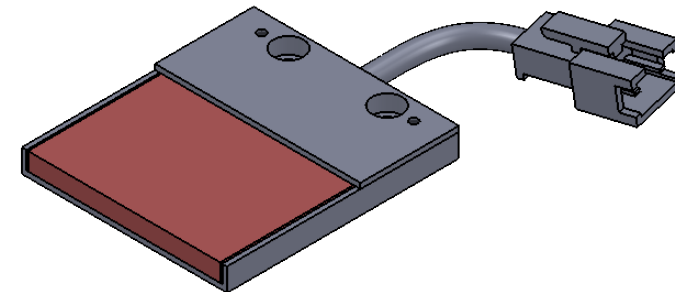
D

D

CONNECTOR
CABLE LENGTH 50cm

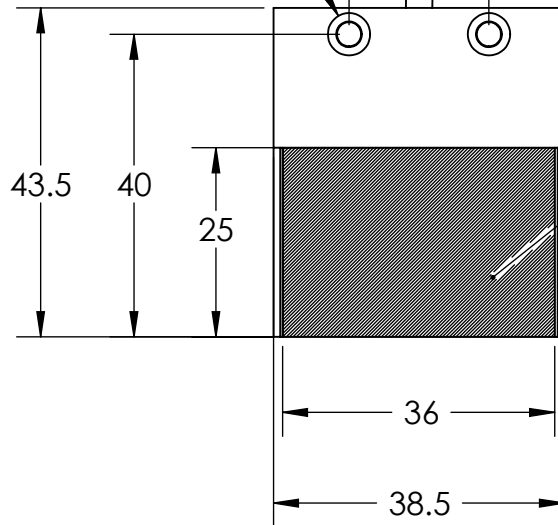
2X ϕ 3.4 THRU ALL
 ϕ 5.6 ∇ 3

18.5



C

C

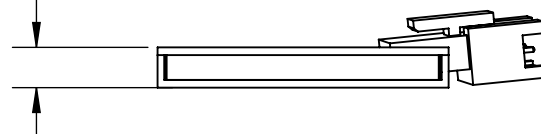


EMITTING AREA

B


B

5.3



A

A

	DESIGN BY	FL LUEI	UNIT: MM	PRODUCT SERIES: LTPVRG SERIES	
	CHECK BY	KB TAN			
	DATE	06/06/2018	REVISION:	TITLE	DRAWING LAYOUT
	MATERIAL	-	01	PART NO	LTPVRG25X36-00-1-W-24V
	FINISHING	-	SCALE:	DWG NO	-
QTY	-	1:1			SHEET 1 OF 1

1 2 3 4 5 6 7 8