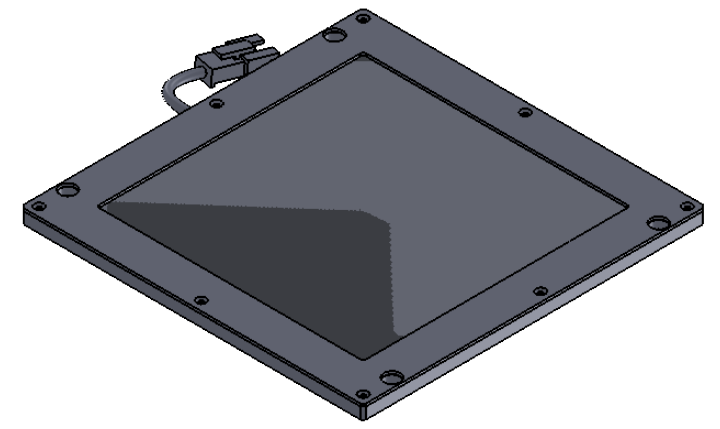
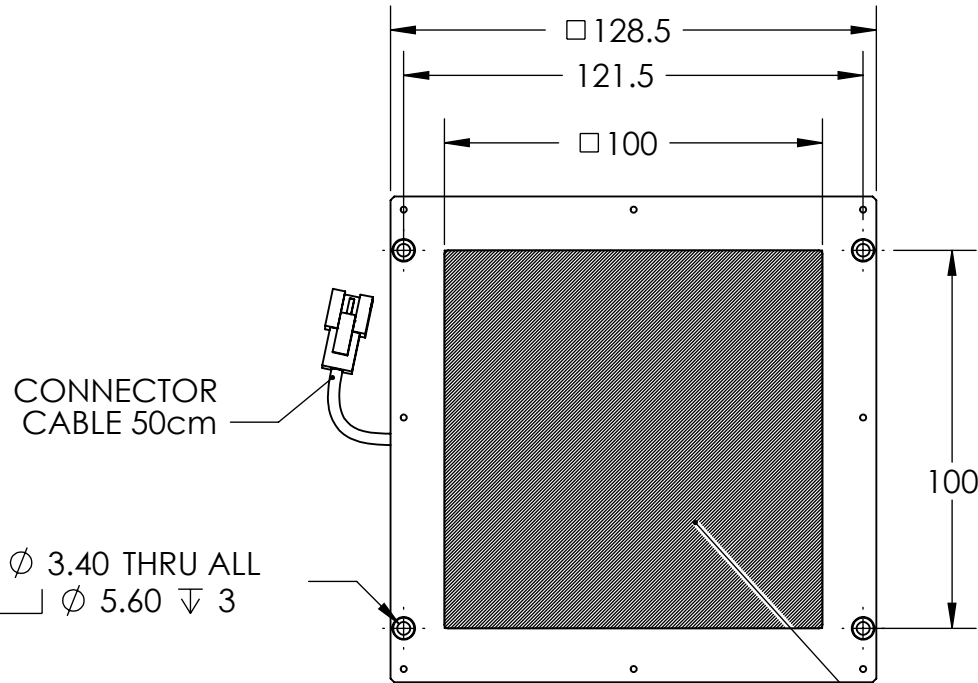


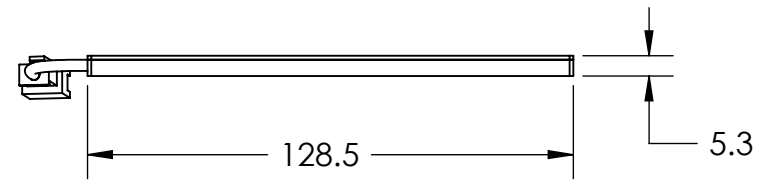
1 2 3 4 5 6 7 8

D




5X Ø 3.40 THRU ALL  
 □ Ø 5.60 ∇ 3

EMITTING AREA



B

A

	DESIGN BY	FL LUEI	UNIT: MM	PRODUCT SERIES: LTPVR SERIES	
	CHECK BY	KB TAN			
	DATE	06/06/2018	REVISION:	TITLE	DRAWING LAYOUT
	MATERIAL	-	SCALE:	PART NO	LTPVR100-00-1-B-24V
	FINISHING	-	1:1	DWG NO	-
QTY	-				SHEET 1 OF 1

1 2 3 4 5 6 7 8