

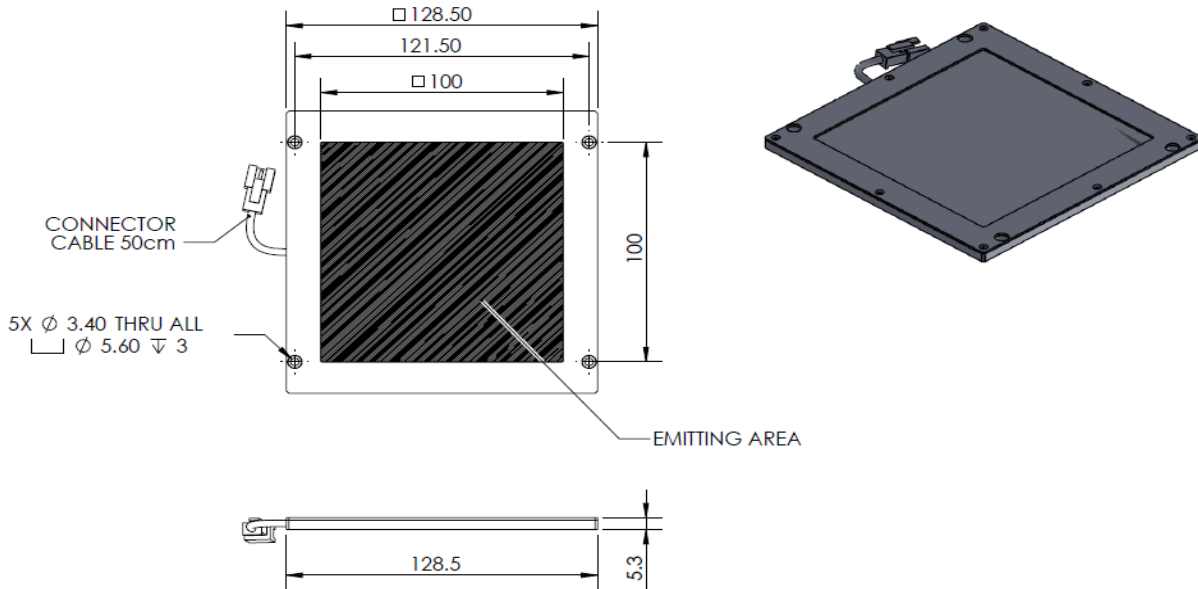


OPTO ENGINEERING

ILLUMINATOR DATA - ID

LTPVR100-00-1-B-24V


Lighting Dimension



Mechanical Information	
Casing Material	Aluminium
Storage Temperature Range	Temp 0-45°C, Humidity 20-85%
Weight	140 g
Length / Outer Diameter	128.5 mm
Width / Inner Diameter	128.5 mm
Thickness/Height	5.3 mm

ILLUMINATOR DATA - ID

LTPVR100-00-1-B-24V

Optical Information			
Part Number	LTPVR100-00-1-B-24V		
LED Color	BLUE		
Wavelength	(nm)	470	
Intensity ($\pm 25\%$)	(Lux)	7350	6120
Working Distance	(mm)	5	15
Illumination (number of row)	1		
Illumination Active Area			
Active Length / Outer Dia.	(mm)	100	
Active Width / Inner Dia.	100		
Emission angle	(deg.)	0	
Eye Safety Class (IEC62471)	II		
Electrical Information			
Lighting Supply Voltage (constant voltage mode)		24V \pm 2%	
Continuous Current	(mA)	160	
Power Consumption	(W)	3.84	
Lighting casing temperature, Operating after 60 minutes	°C	46.8	
Strobe Mode Specification			
Pulse Operation	YES		
Max. Lighting Supply Voltage (Constant voltage power supply)	(V)	Pulsing at 24VDC to 48VDC, 0-10% Duty Cycle Recommended at 36VDC	
Pulse Current, (Max. 10msec) (Constant current power supply)	(mA)	480	
Max. Trigger Pulse Duration	(msec)	10	
Duty Cycle	0-10%		
Additional Information			
Additional Cooling Method	Attached to machine part for better heat dissipation		
Intensity Controller Selection	ANG, ST, SD and SDA series		
CE Conformity	YES		
RoHS Compliance	YES		
Connection			
Connector Type (Default):	JST SMR-03V		
Cable Length out from lighting :	(mm)	500	
Pin Configuration :	Pin	Signal	Cable Color
	1	LED +	RED
	2	N.C.	---
	3	LED -	WHITE
			
Application			
Illumination Type	Backlight Illumination		
Application Use	Lead frame inspection, shape recognition, size measurement		