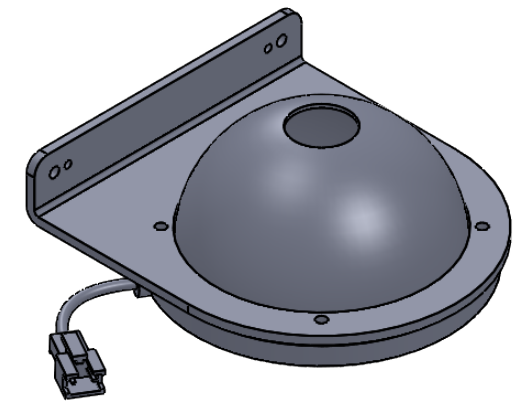
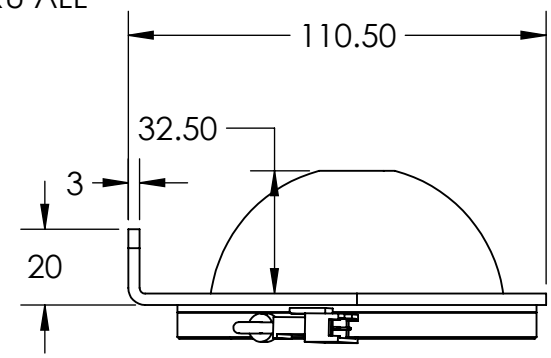
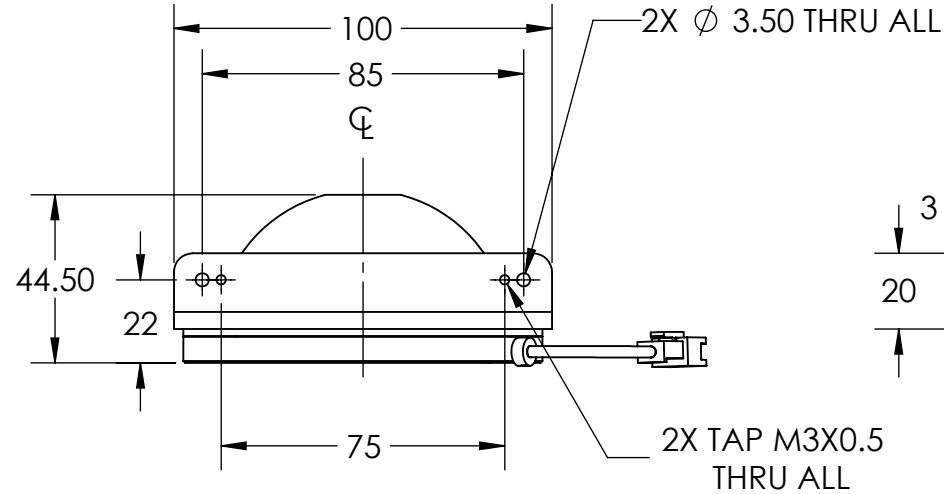
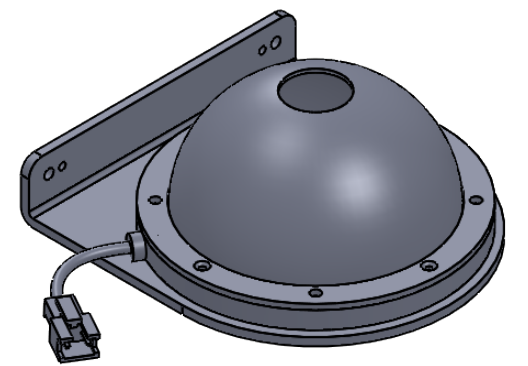
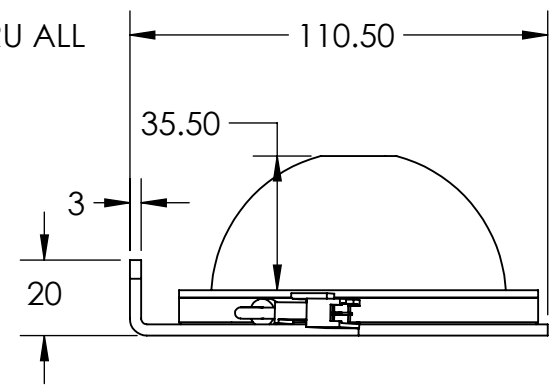
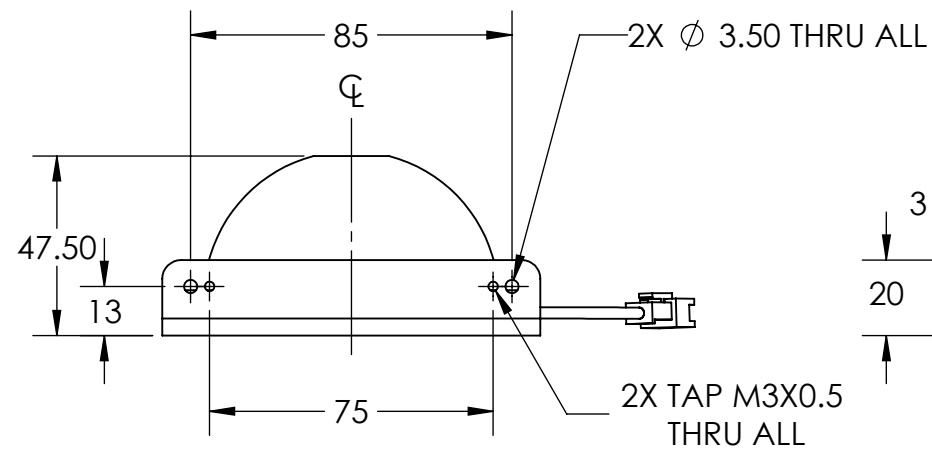


| REVISIONS | | | |
|-----------|--------------|---------|--------------|
| REV. | DESCRIPTIONS | EDIT BY | DATE:(d/m/y) |
| 01 | NEW | KANG | 10/09/2020 |
| - | - | - | DD/MM/YYYY |

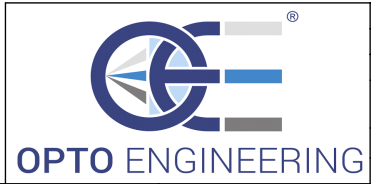
TOP MOUNTING



BOTTOM MOUNTING



CUSTOMER APPROVED
& DATE



| | |
|-----------|-----------|
| DESIGN BY | KANG |
| CHECK BY | KB TAN |
| DATE | 10/9/2020 |
| MATERIAL | - |
| FINISHING | - |
| QTY | - |

| | |
|-----------|-----|
| UNIT: | MM |
| REVISION: | 01 |
| SCALE: | 1:1 |

| | |
|---|------------------|
| PRODUCT SERIES: CMLT5 SERIES - OPTO ENG | |
| TITLE | DRAWING LAYOUT |
| PART NO | CMLT5WRG070-00-X |
| DWG NO | - |
| SHEET 1 OF 1 | |