

TCCXQ014-G

Telecentric assembly with coaxial illumination for 2/3" detectors, magnification 0.14x, green

SPECIFICATIONS

Optical specifications

Magnification	(x)	0.138
Image circle Ø	(mm)	11
Phase adjustment		
Object distance	(mm)	63.8

Object field of view

with 1/3" detector (4.8 x 3.6 mm)	(mm x mm)	34.8 x 26.1
with 1/2" detector (6.4 x 4.8 mm)	(mm x mm)	46.4 x 34.8
with 1/1.8" detector (7.13 x 5.37 mm)	(mm x mm)	51.67 x 38.62
with 2/3" - 5 MP detector (8.45 x 7.07 mm)	(mm x mm)	61.59 x 51.38

Electrical specifications

Light color, peak wavelength		green, 520 nm
------------------------------	--	---------------

Device power ratings

DC voltage (min)	(V)	12
DC voltage (max)	(V)	24
Power consumption	(W)	< 2.5
Max LED fwd current ¹	(mA)	350

LED power ratings

Forward voltage (typical) ²	(V)	3.3
Forward voltage (max) ²	(V)	4.00
Max pulse current ³	(mA)	2000

Dimensions

Mount		C
Length	(mm)	350.3
Height	(mm)	128
Width	(mm)	367.6
Mass	(g)	911

Eye safety

Risk group according to CEI EN 62471:2010		Risk group 1
-------------------------------------------	--	--------------

NOTES

- Used in continuous (not pulsed) mode.
- At max forward current. Tolerance is ±0.06V on forward voltage measurements.
- At pulse width ≤ 10 ms, duty cycle ≤ 10% condition. Built-in electronics board must be bypassed (see tech info).

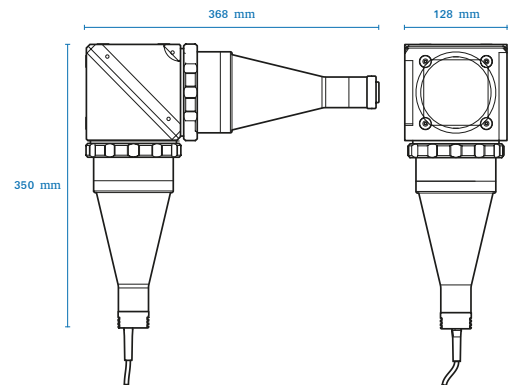
COMPATIBLE PRODUCTS



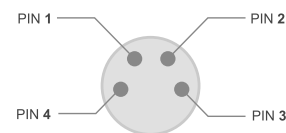
LTDV1CH-17V Strobe controller 1 channel variable current 5 mA - 17A



CMHO064 Clamping mechanics for TCxx064 lenses and LTCLHP064-X illuminators



CONNECTION



Device side - male pins
Front view

Pinout reference

Pin	Function
1	Earth
2	GND
3	LED Anode
4	Power supply (+12÷24 V)

