

RT-TCL0200-F

0.2x Telecentric lens with built-in coaxial illumination for detectors up to 2/3"

SPECIFICATIONS

Magnification		0.2
Image circle Ø	(mm)	11
Max detector size		2/3"

Object field of view

with 1/3" detector (4.8 x 3.6 mm)	(mm x mm)	24.0 x 18.0
with 1/2.5" detector (5.70 x 4.28 mm)	(mm x mm)	28.5 x 21.4
with 1/2" detector (6.4 x 4.8 mm)	(mm x mm)	32.0 x 24.0
with 1/1.8" detector (7.13 x 5.37 mm)	(mm x mm)	35.7 x 26.9
with 2/3" - 5 MP detector (8.45 x 7.07 mm)	(mm x mm)	42.3 x 35.4

Optical specifications

Working distance	(mm)	167
wF/# 1		8 - 40
Distortion	(%)	0.012
Field depth	(mm)	8.4
Nominal resolving power	(µm)	31

Mechanical specifications

Mount		C
Length	(mm)	297.22
Diameter	(mm)	68
Mass	(g)	793
Focus lock screws		-
Iris lock screws		Yes

NOTES

1. F/# = F-number, wF/# = working F-number, the real F-number of a lens when used as a macro.

COMPATIBLE PRODUCTS

LTLAIC series
Continuous LED low angle diffused ringlights

RT-DLR2-60-100-2-W-24V-FL	Continuous LED low angle diffused ringlight, inner diameter 68 mm, 60°, white
RT-DLR2-60-100-2-R-24V-FL	Continuous LED low angle diffused ringlight, inner diameter 68 mm, 60°, red
RT-DLR2-60-100-2-G-24V-FL	Continuous LED low angle diffused ringlight, inner diameter 68 mm, 60°, green
RT-DLR2-60-100-2-B-24V-FL	Continuous LED low angle diffused ringlight, inner diameter 68 mm, 60°, blue

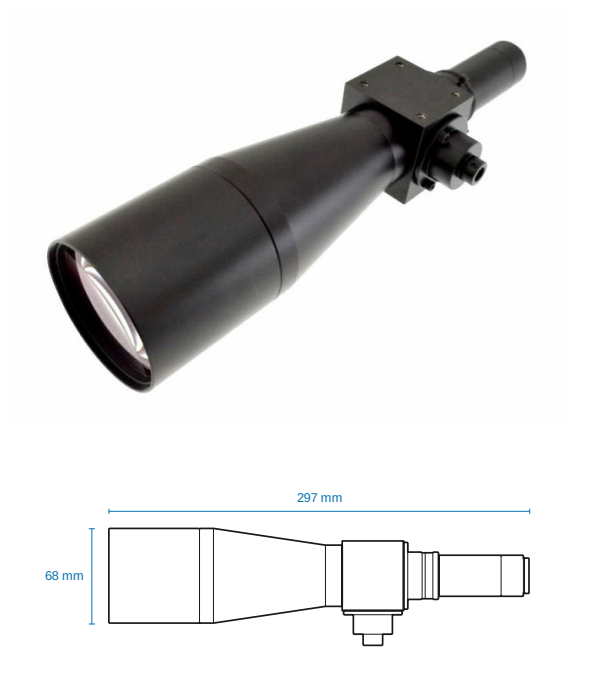
LTLADC series
Continuous LED low angle direct ringlights

RT-LLA-75-130-3-W-24V-FL	Continuous LED low angle direct ringlights, inner diameter 94 mm, 75°, white
RT-LLA-75-130-3-R-24V-FL	Continuous LED low angle direct ringlights, inner diameter 94 mm, 75°, red
RT-LLA-75-130-3-G-24V-FL	Continuous LED low angle direct ringlights, inner diameter 94 mm, 75°, green
RT-LLA-75-130-3-B-24V-FL	Continuous LED low angle direct ringlights, inner diameter 94 mm, 75°, blue

LTBFC series
Continuous flat side-emitting LED backlights

RT-BHD-00-070-1-W-24V-FL	Continuous flat side-emitting LED backlight, 70X70 illumination area, white
RT-BHD-00-070-1-R-24V-FL	Continuous flat side-emitting LED backlight, 70X70 illumination area, red

All product specifications and data are subject to change without notice to improve reliability, functionality, design or other. Photos and pictures are for illustration purposes only.



RT-BHD-00-070-1-G-24V-FL	Continuous flat side-emitting LED backlight, 70X70 illumination area, green
RT-BHD-00-070-1-B-24V-FL	Continuous flat side-emitting LED backlight, 70X70 illumination area, blue
RT-BHDS-00-070-1-W-24V-FL	Continuous flat side-emitting LED backlight, one side edge to edge type, 70X70 illumination area, white
RT-BHDS-00-070-1-R-24V-FL	Continuous flat side-emitting LED backlight, one side edge to edge type, 70X70 illumination area, red
RT-BHDS-00-070-1-G-24V-FL	Continuous flat side-emitting LED backlight, one side edge to edge type, 70X70 illumination area, green
RT-BHDS-00-070-1-B-24V-FL	Continuous flat side-emitting LED backlight, one side edge to edge type, 70X70 illumination area, blue

LTBRDC series

Continuous LED bar lights

RT-LBRX-00-080-6-W-24V-FL	Continuous LED bar light, 80X26.3 illumination area, white
RT-LBRX-00-080-6-R-24V-FL	Continuous LED bar light, 80X26.3 illumination area, red
RT-LBRX-00-080-6-G-24V-FL	Continuous LED bar light, 80X26.3 illumination area, green
RT-LBRX-00-080-6-B-24V-FL	Continuous LED bar light, 80X26.3 illumination area, blue