



LTRN144RD

Ring LED illuminator, inner diameter 200 mm, straight type, red 630 nm

SPECIFICATIONS

Optical specifications

Light color, peak wavelength		red
Optimal working distance	(mm)	450-580
Illuminance at minimum working distance	(lux)	1120
Illuminance at maximum working distance	(lux)	762

Lighting area diameter

Outer	(mm)	276
Inner	(mm)	204

Electrical specifications

Number of LED rows		1
--------------------	--	---

Continuous mode 1

Supply voltage	(V)	24
Current	(mA)	875
Power consumption	W	21

Pulsed mode

Supply voltage 2	(V)	24-48
Max pulse current 3	(mA)	2000
Max. trigger pulse duration	(ms)	10
Duty cycle	(%)	0-10%

Mechanical specifications

Outer diameter	(mm)	290
Inner diameter	(mm)	200
Height	(mm)	40
Mass	(g)	1310
Cooling method	Attached to machine part for better heat dissipation	

Compatibility

Compatible products	TCxx144, TC23130, TCxMHR144-x, TC16M144-x, TC12K144
---------------------	---

Eye safety

Risk group according to CEI EN 62471:2010	Risk group 2
---	--------------

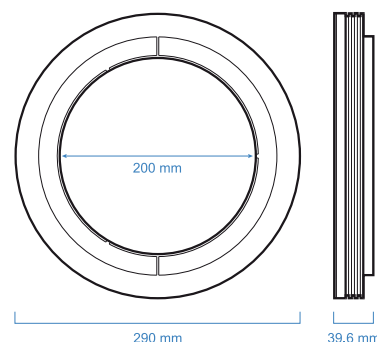
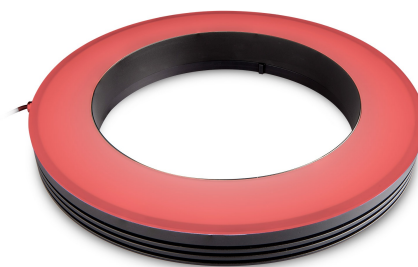
NOTES

1. Lifespan: 20.000 hours (drop to 50% intensity) at 25 °C.
2. With constant driving voltage (36V recommended, 48V max). Duty cycle = 0-10 %. Max pulse width = 10 ms.
3. With constant driving current. Duty cycle = 0-10 %. Max pulse width = 10 ms.

COMPATIBLE PRODUCTS



TC23130	Bi-telecentric lens for 2/3" detectors, magnification 0.068 x, C-mount
TC13144	Bi-telecentric lens for 1/3" detectors, magnification 0.033 x, C-mount
TC12144	Bi-telecentric lens for 1/2" detectors, magnification 0.044 x, C-mount
TC23144	Bi-telecentric lens for 2/3" detectors, magnification 0.061 x, C-mount



TC2MHR144-C High resolution telecentric lens for 1" detectors, magnification 0.089x, C-mount

TC2MHR144-F High resolution telecentric lens for 1" detectors, magnification 0.089x, F-mount

TC2MHR144-E High resolution telecentric lens for 1" detectors, magnification 0.089x, mount M42X1
FD=16

TC4MHR144-C High resolution telecentric lens for 1.2" detectors, magnification 0.122x, C-mount

TC4MHR144-F High resolution telecentric lens for 1.2" detectors, magnification 0.122x, F-mount

TC4MHR144-E High resolution telecentric lens for 1.2" detectors, magnification 0.122x, mount M42X1
FD=16



TC16M144 Telecentric lens for 35 mm detectors, magnification 0.245 x, F-mount

TC16M144-Q Telecentric lens for 35 mm detectors, magnification 0.245 x, mount M58x0.75 FD = 6.56



TC12K144 Telecentric lens for 12k and 16k linescan cameras, magnification 0.439 x, M72 x 0.75 mount



TCDP2X144 Double magnification bi-telecentric lens, for detectors up to 2/3"

TCDP4X144 Double magnification bi-telecentric lens, for detectors up to 2/3"



LTDV1CH-17V Strobe controller 1 channel variable current 5 mA - 17A