

LTRN075W45

Ring LED illuminator, inner diameter 28 mm, oblique type, white

SPECIFICATIONS

Optical specifications

Light color, peak wavelength		white
Optimal working distance	(mm)	20-50
Illuminance at minimum working distance	(lux)	15300
Illuminance at maximum working distance	(lux)	7540

Lighting area diameter

Outer	(mm)	65.4
Inner	(mm)	43.8

Electrical specifications

Number of LED rows		1
--------------------	--	---

Continuous mode 1

Supply voltage	(V)	24
Current	(mA)	90
Power consumption	W	2.2

Pulsed mode

Supply voltage 2	(V)	24-48
Max pulse current 3	(mA)	270
Max. trigger pulse duration	(ms)	10
Duty cycle	(%)	0-10%

Mechanical specifications

Outer diameter	(mm)	75.4
Inner diameter	(mm)	28
Height	(mm)	32
Mass	(g)	120
Cooling method	Attached to machine part for better heat dissipation	

Compatibility

Compatible products	TC2300y, TC23012, TC4M00y-x, PCHI0xx, TCCAGExx096
---------------------	---------------------------------------------------

Eye safety

Risk group according to CEI EN 62471:2010	Risk group 2
-------------------------------------------	--------------

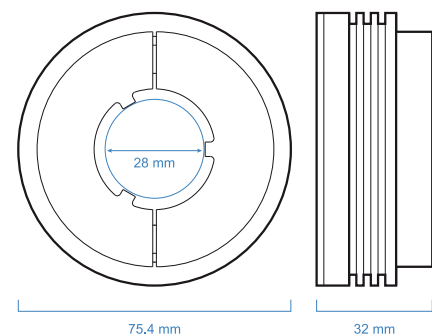
NOTES

1. Lifespan: 20.000 hours (drop to 50% intensity) at 25 °C.
2. With constant driving voltage (36V recommended, 48V max). Duty cycle = 0-10 %. Max pulse width = 10 ms.
3. With constant driving current. Duty cycle = 0-10 %. Max pulse width = 10 ms.

COMPATIBLE PRODUCTS



TC23004	Bi-telecentric lens for 2/3" detectors, magnification 2.000 x, C-mount
TC23007	Bi-telecentric lens for 2/3" detectors, magnification 1.333 x, C-mount
TC23009	Bi-telecentric lens for 2/3" detectors, magnification 1.000 x, C-mount
TC23012	Bi-telecentric lens for 2/3" detectors, magnification 0.735 x, C-mount



TC4M004-F	Telecentric lens for 1.2" detectors, magnification 4.000 x, F-mount
TC4M007-F	Telecentric lens for 1.2" detectors, magnification 2.667 x, F-mount
TC4M009-C	Telecentric lens for 1.2" detectors, magnification 2.000 x, C-mount
TC4M009-F	Telecentric lens for 1.2" detectors, magnification 2.000 x, F-mount



PCHI013	Hole inspection optics for 1/3" detectors
PCHI012	Hole inspection optics for 1/2" detectors
PCHI023	Hole inspection optics for 2/3" detectors



TCCAGE12096	Bi-telecentric multi-mirror system for 1/2" detectors
TCCAGE23096	Bi-telecentric multi-mirror system for 2/3" detectors



LTDV1CH-17V	Strobe controller 1 channel variable current 5 mA - 17A
--------------------	---------------------------------------------------------