



LTRN050B45

Ring LED illuminator, inner diam. 15.2 mm, oblique type, blue 470 nm

SPECIFICATIONS

Optical specifications

Light color, peak wavelength		blue
Optimal working distance	(mm)	20-80
Illuminance at minimum working distance	(lux)	15280
Illuminance at maximum working distance	(lux)	2250

Lighting area diameter

Outer	(mm)	49
Inner	(mm)	19

Electrical specifications

Number of LED rows		2
--------------------	--	---

Continuous mode 1

Supply voltage	(V)	24
Current	(mA)	105
Power consumption	W	2.6

Pulsed mode

Supply voltage 2	(V)	24-48
Max pulse current 3	(mA)	315
Max. trigger pulse duration	(ms)	10
Duty cycle	(%)	0-10%

Mechanical specifications

Outer diameter	(mm)	53.5
Inner diameter	(mm)	15.2
Height	(mm)	22
Mass	(g)	45
Cooling method	Attached to machine part for better heat dissipation	

Compatibility

Compatible products	PCPW0xx, MCxxxX, TCCAGExx048
---------------------	------------------------------

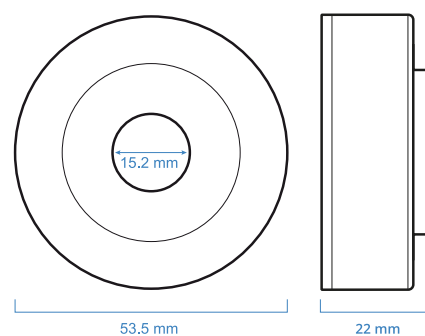
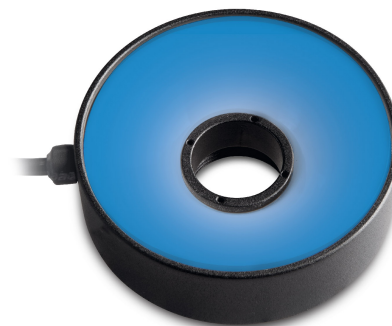
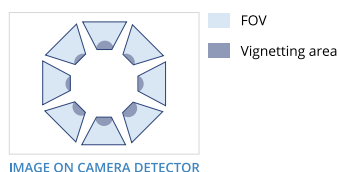
Eye safety

Risk group according to CEI EN 62471:2010	Risk group 2
---	--------------

NOTES

1. Lifespan: 20.000 hours (drop to 50% intensity) at 25 °C.
2. With constant driving voltage (36V recommended, 48V max). Duty cycle = 0-10 %. Max pulse width = 10 ms.
3. With constant driving current. Duty cycle = 0-10 %. Max pulse width = 10 ms.

- a. When using LTRN050x45 ring LED illuminator in combination with PCPW0xx optics some vignetting occurs (up to ≈ 16% of the total FOV). Image on camera detector will appear as depicted in the schematics. Use the adapter provided with PCPW0xx to securely clamp LTRN050x45.



COMPATIBLE PRODUCTS



PCPW013	Polyview lens for 1/3" detectors
PCPW012	Polyview lens for 1/2" detectors
PCPW023	Polyview lens for 2/3" detectors



TCCAGE12048	Bi-telecentric multi-mirror system for 1/2"
TCCAGE23048	Bi-telecentric multi-mirror system for 2/3"



MC300X	Macro lens for 2/3", magnification 3.0 x, C-mount
MC200X	Macro lens for 2/3" detectors, magnification 2.0 x, C-mount
MC150X	Macro lens for 2/3" detectors, magnification 1.5 x, C-mount
MC100X	Macro lens for 2/3" detectors, magnification 1.00 x, C-mount
MC075X	Macro lens for 2/3" detectors, magnification 0.75 x, C-mount
MC050X	Macro lens for 2/3" detectors, magnification 0.50 x, C-mount
MC033X	Macro lens for 2/3" detectors, magnification 0.33 x, C-mount



LTDV1CH-17V	Strobe controller 1 channel variable current 5 mA - 17A
--------------------	---