



LTRN036BL

Ring LED illuminator, inner diameter 61 mm, straight type, blue 470 nm

SPECIFICATIONS

Optical specifications

Light color, peak wavelength		blue
Optimal working distance	(mm)	65-240
Illuminance at minimum working distance	(lux)	3580
Illuminance at maximum working distance	(lux)	196

Lighting area diameter

Outer	(mm)	143
Inner	(mm)	84

Electrical specifications

Number of LED rows		1
--------------------	--	---

Continuous mode 1

Supply voltage	(V)	24
Current	(mA)	434
Power consumption	W	10.5

Pulsed mode

Supply voltage 2	(V)	24-48
Max pulse current 3	(mA)	1302
Max. trigger pulse duration	(ms)	10
Duty cycle	(%)	0-10%

Mechanical specifications

Outer diameter	(mm)	157
Inner diameter	(mm)	61
Height	(mm)	40
Mass	(g)	560
Cooling method	Attached to machine part for better heat dissipation	

Compatibility

Compatible products	TCxx036, TCxMHR036-x, TC16M036-x, TC5M036, MCZRxxx-yyy
---------------------	--

Eye safety

Risk group according to CEI EN 62471:2010	Risk group 2
---	--------------

NOTES

1. Lifespan: 20.000 hours (drop to 50% intensity) at 25 °C.
2. With constant driving voltage (36V recommended, 48V max). Duty cycle = 0-10 %. Max pulse width = 10 ms.
3. With constant driving current. Duty cycle = 0-10 %. Max pulse width = 10 ms.

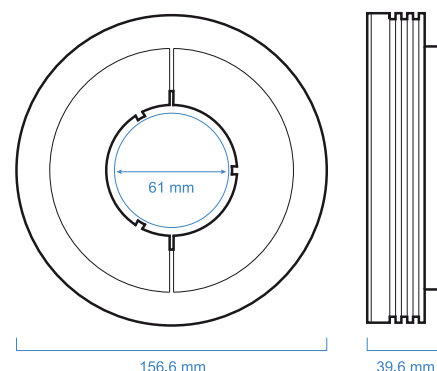
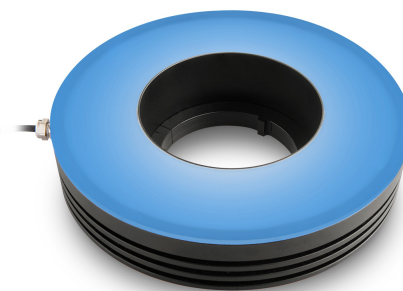
COMPATIBLE PRODUCTS



TC13036	Bi-telecentric lens for 1/3" detectors, magnification 0.133 x, C-mount
TC12036	Bi-telecentric lens for 1/2" detectors, magnification 0.177 x, C-mount
TC23036	Bi-telecentric lens for 2/3" detectors, magnification 0.243 x, C-mount



TC2MHR036-C	High resolution telecentric lens for 1" detectors, magnification 0.353x, C-mount
--------------------	--



TC2MHR036-F	High resolution telecentric lens for 1" detectors, magnification 0.353x, F-mount
TC2MHR036-E	High resolution telecentric lens for 1" detectors, magnification 0.353x, mount M42X1 FD=16
TC4MHR036-C	High resolution telecentric lens for 1.2" detectors, magnification 0.486x, C-mount
TC4MHR036-F	High resolution telecentric lens for 1.2" detectors, magnification 0.486x, F-mount
TC4MHR036-E	High resolution telecentric lens for 1.2" detectors, magnification 0.486x, mount M42X1 FD=16



TC16M036	Telecentric lens for 35 mm detectors, magnification 1.000 x, F-mount
TC16M036-Q	Telecentric lens for 35 mm detectors, magnification 1.000 x, mount M58x0.75 FD =6.56



MCZR033-008	Macro zoom revolver, C-mount
MCZR025-006	Macro zoom revolver, C-mount
MCZR018-004	Macro zoom revolver, C-mount
MCZR014-003	Macro zoom revolver, C-mount



TCSM036	3D bi-telecentric lens with Scheimpflug adjustment
----------------	--



LTDV1CH-17V	Strobe controller 1 channel variable current 5 mA - 17A
--------------------	---