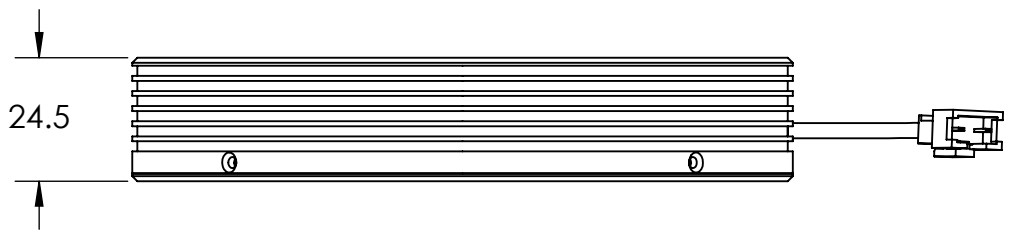


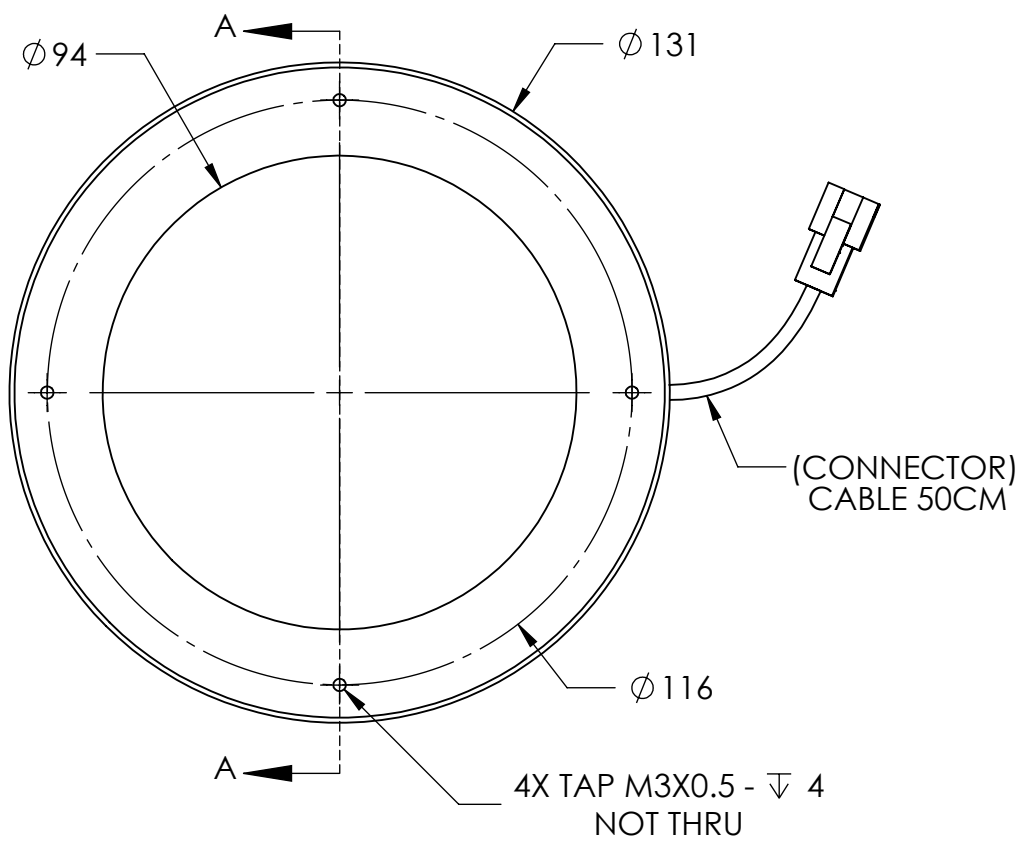
1 2 3 4 5 6 7 8

D



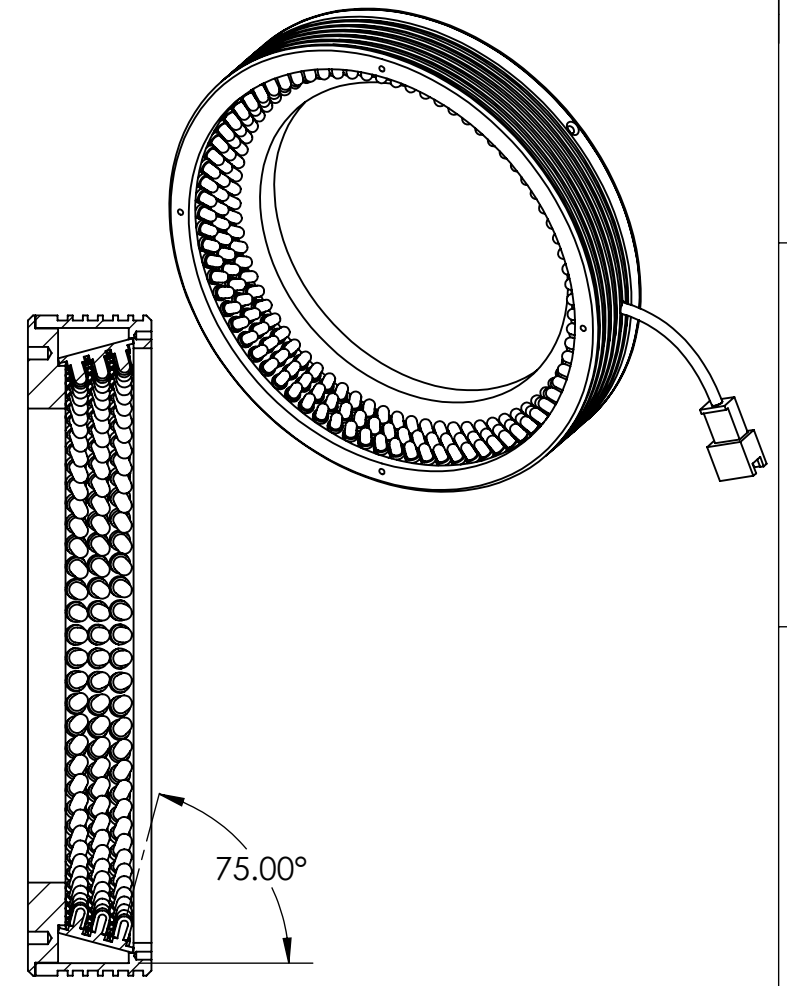
D

C




C

B



B

A

	DESIGN BY	FL LUEI	UNIT: MM	PRODUCT SERIES: LTZZO SERIES	
	CHECK BY	KB TAN			
	DATE	31/05/2018	REVISION:	TITLE	DRAWING LAYOUT
	MATERIAL	-	SCALE:	PART NO	LTZZO130-75-3-B-24V
	FINISHING	-	1 : 1	DWG NO	-
QTY	-				SHEET 1 OF 1

A

1 2 3 4 5 6 7 8