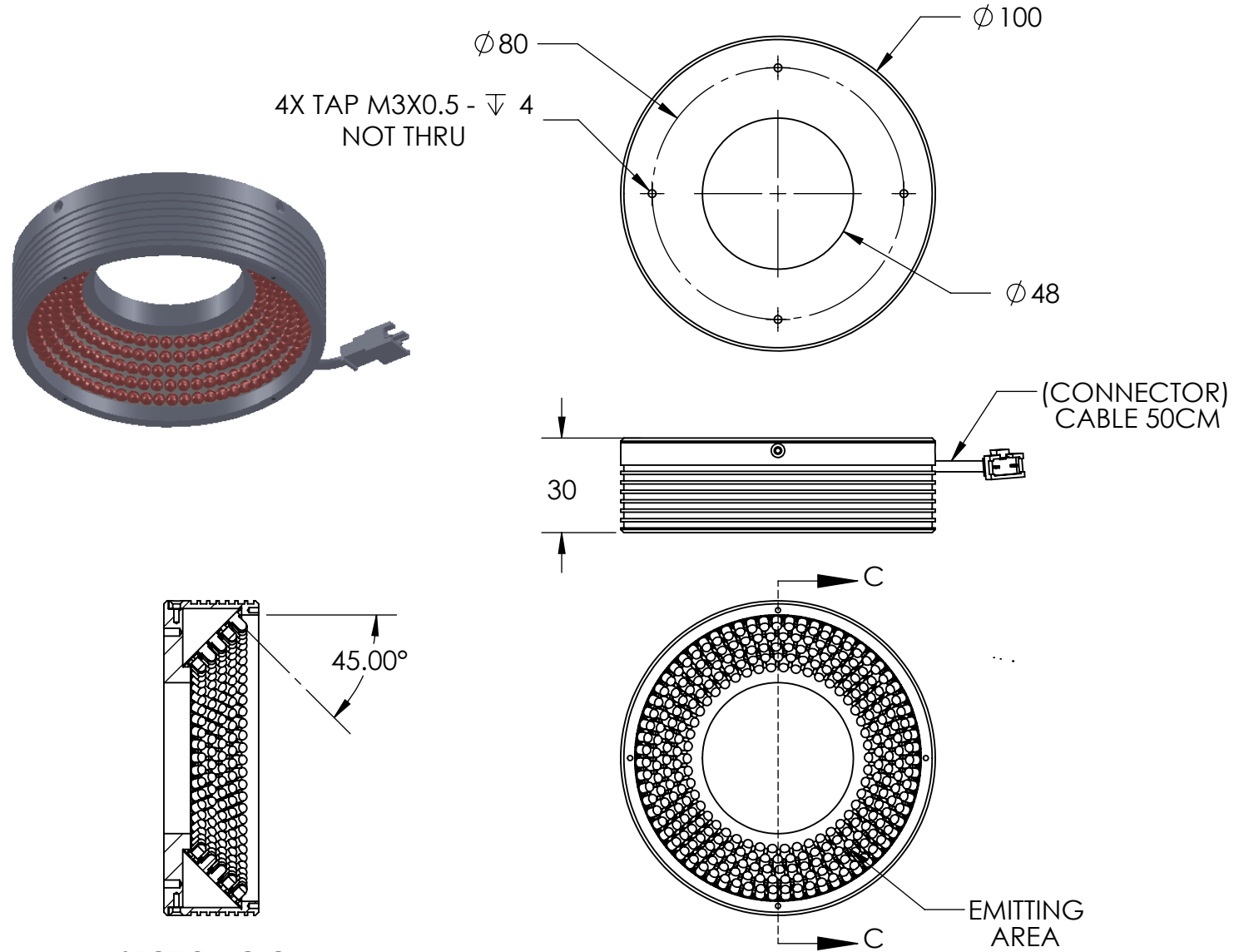


D


C

B

A



SECTION C-C  
SCALE 1 : 2

|  |           |            |             |                              |                     |
|--|-----------|------------|-------------|------------------------------|---------------------|
|  | DESIGN BY | FL LUEI    | UNIT:<br>MM | PRODUCT SERIES: LTZGK SERIES |                     |
|  | CHECK BY  | KB TAN     |             |                              |                     |
|  | DATE      | 31/05/2018 | REVISION:   | TITLE                        | DRAWING LAYOUT      |
|  | MATERIAL  | -          | SCALE:      | PART NO                      | LTZGK100-45-5-W-24V |
|  | FINISHING | -          | 1 : 1       | DWG NO                       | -                   |
| QTY  | -         |            |             |                              | SHEET 1 OF 1        |