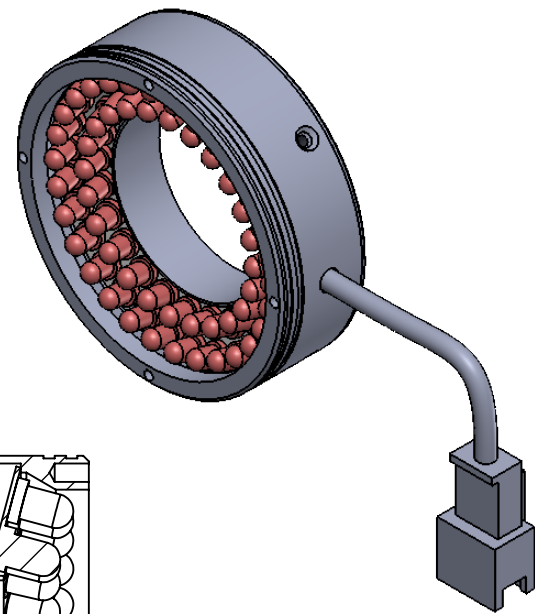
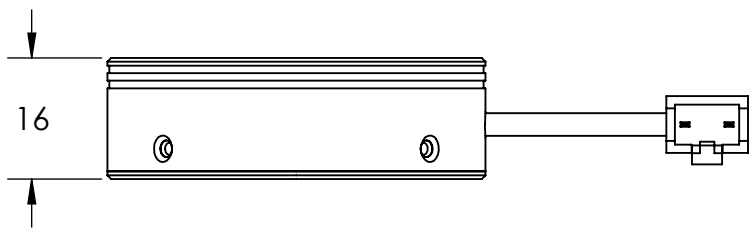
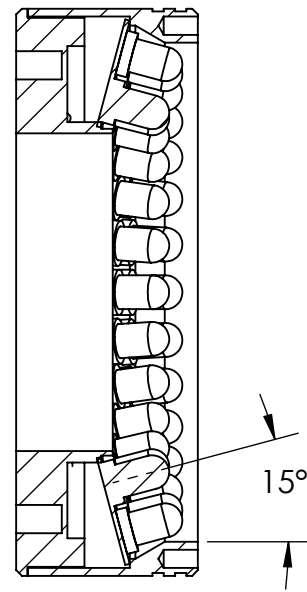
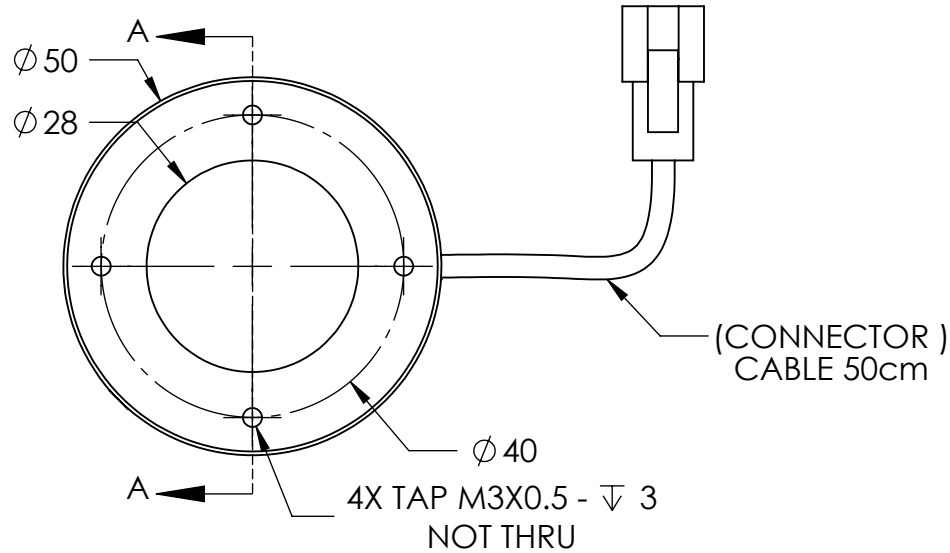


1 2 3 4 5 6 7 8

D




C



B

A

	DESIGN BY	KB TAN	UNIT: MM	PRODUCT SERIES: LTZGK SERIES		
	CHECK BY	KB TAN				
	DATE	28/5/2018	REVISION:	01	TITLE	DRAWING LAYOUT
	MATERIAL	-	SCALE:	1:1	PART NO	LTZGK050-15-2-W-24V
	FINISHING	-	DWG NO	-	SHEET 1 OF 1	
QTY	-					

1 2 3 4 5 6 7 8