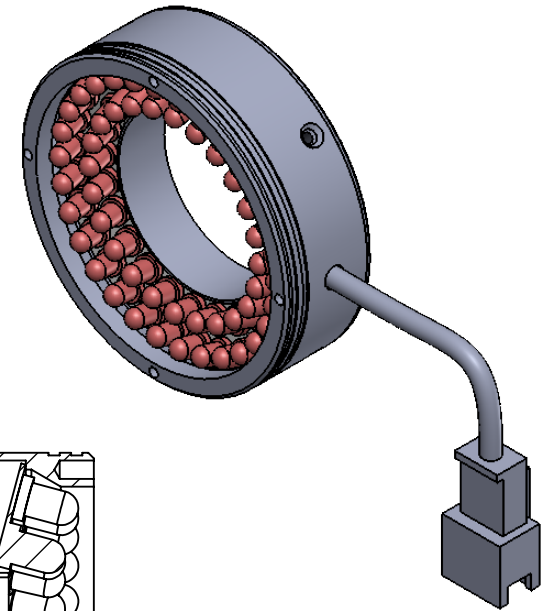
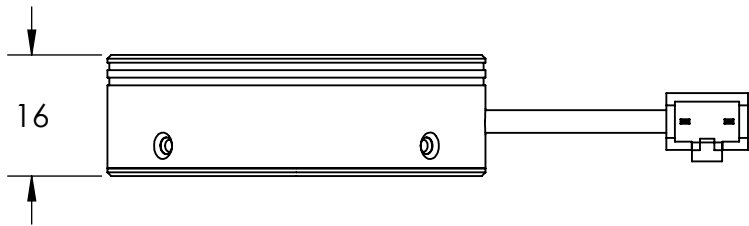
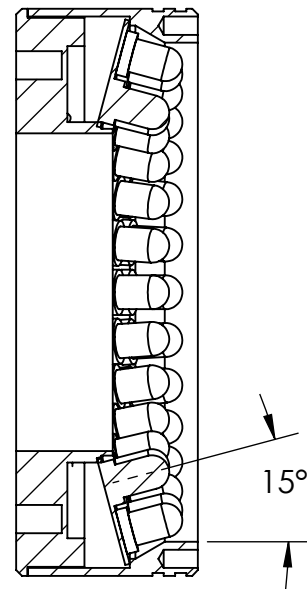
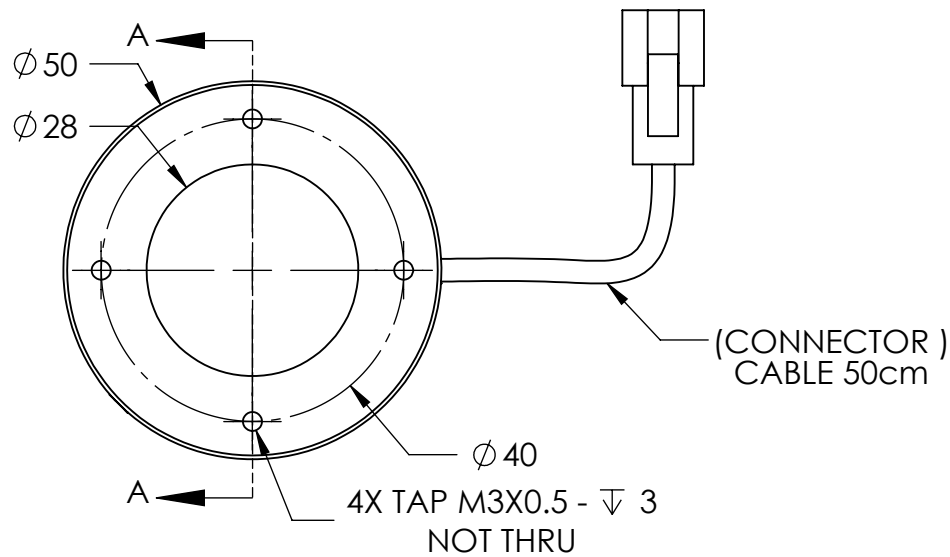


1 2 3 4 5 6 7 8

D



C



B

A



DESIGN BY	KB TAN
CHECK BY	KB TAN
DATE	28/5/2018
MATERIAL	-
FINISHING	-
QTY	-

UNIT:	MM
REVISION:	01
SCALE:	1 : 1

PRODUCT SERIES: LTZGK SERIES	
TITLE	DRAWING LAYOUT
PART NO	LTZGK050-15-2-R-24V
DWG NO	-
SHEET 1 OF 1	

1 2 3 4 5 6 7 8