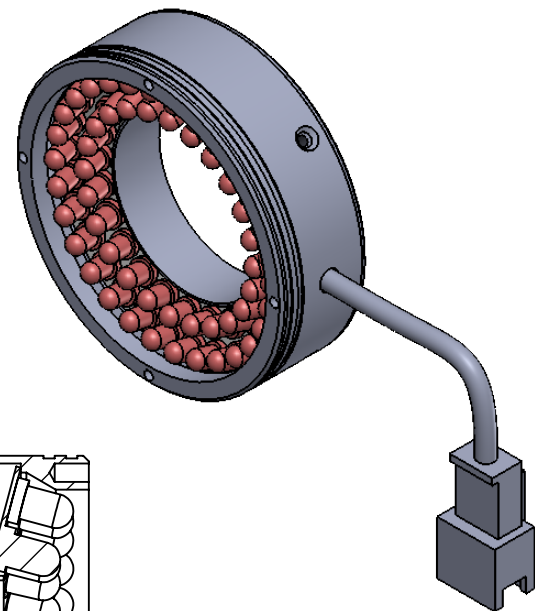
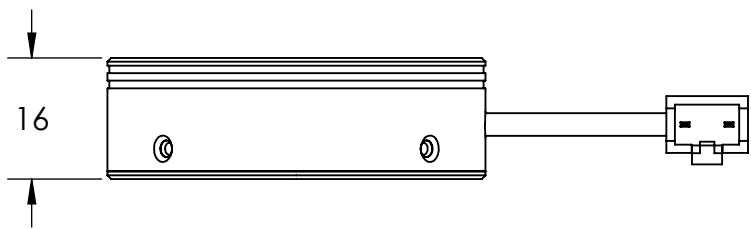
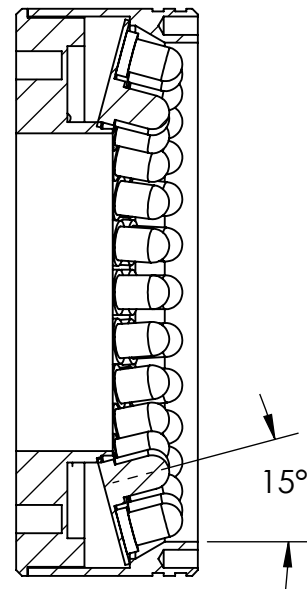
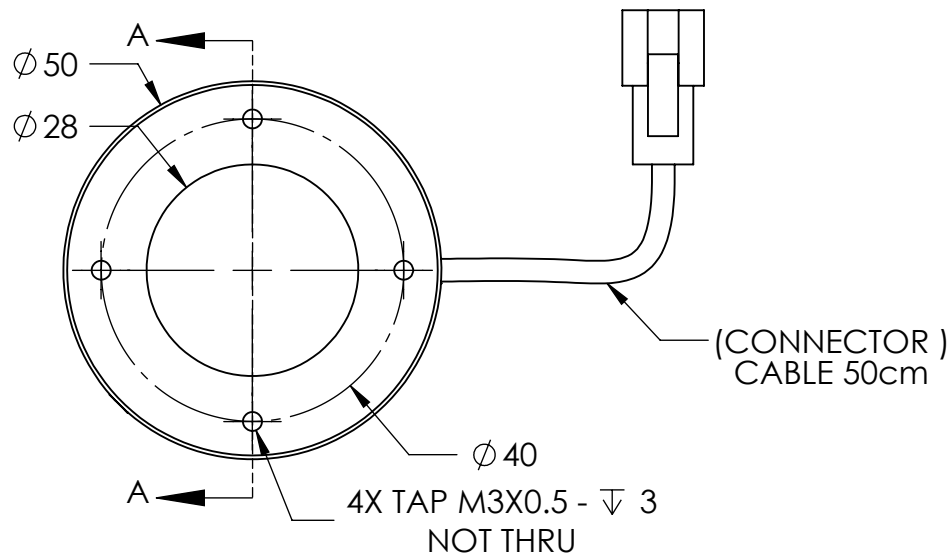


1 2 3 4 5 6 7 8

D




C



B

A

	DESIGN BY	KB TAN	UNIT: MM	PRODUCT SERIES: LTZGK SERIES	
	CHECK BY	KB TAN			
	DATE	30/5/2018	REVISION:	TITLE	DRAWING LAYOUT
	MATERIAL	-	SCALE:	PART NO	LTZGK050-15-2-G-24V
	FINISHING	-	1 : 1	DWG NO	-
QTY	-				SHEET 1 OF 1

1 2 3 4 5 6 7 8