

1 2 3 4 5 6 7 8

D

D

C

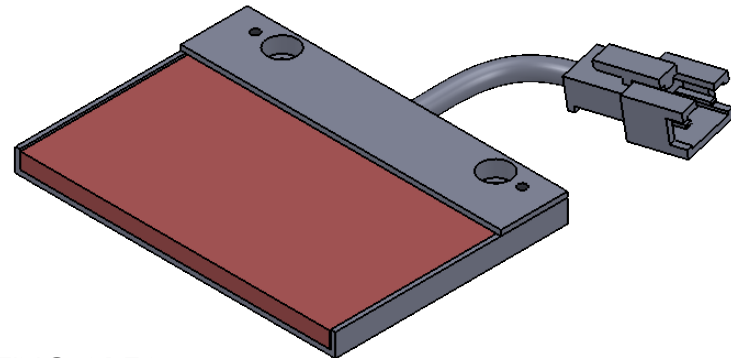
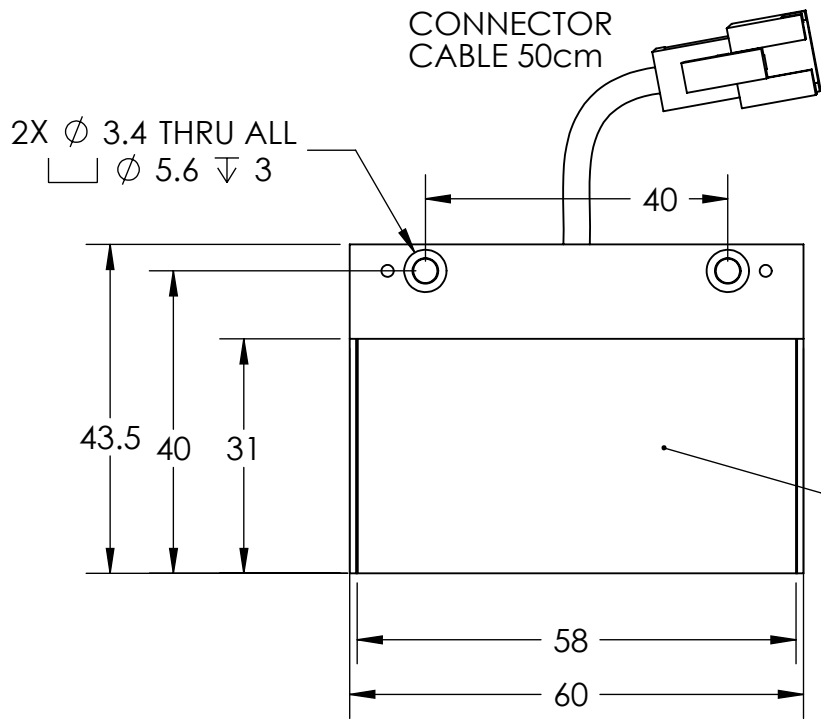
C

B


B

A

A



EMITTING AREA

	DESIGN BY	FL LUEI	UNIT: MM	PRODUCT SERIES: LTPVRG SERIES	
	CHECK BY	KB TAN			
	DATE	06/06/2018	REVISION:	TITLE	DRAWING LAYOUT
	MATERIAL	-	SCALE:	PART NO	LTPVRG31X58-00-1-G-24V
	FINISHING	-	1:1	DWG NO	-
QTY	-				SHEET 1 OF 1

1 2 3 4 5 6 7 8