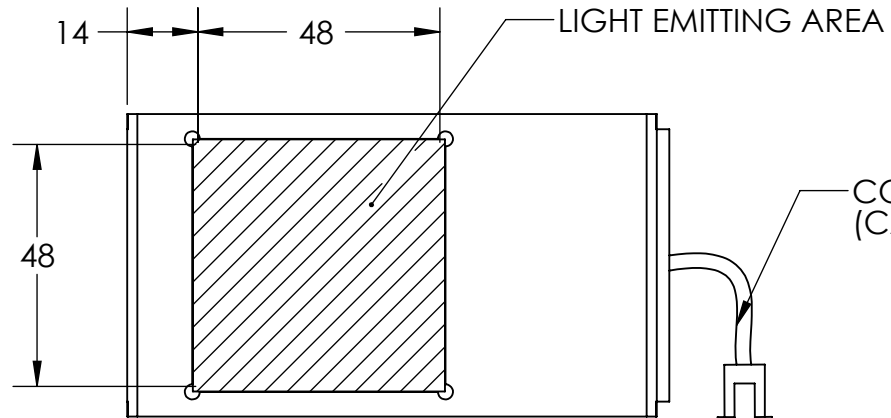
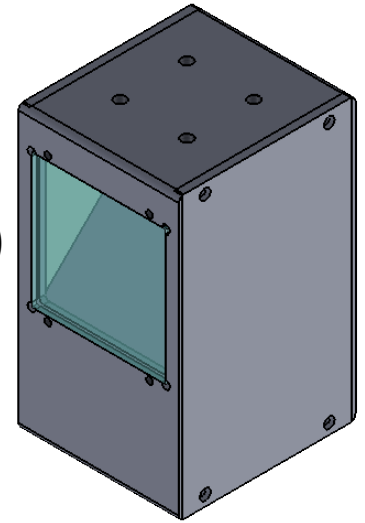


1 2 3 4 5 6 7 8

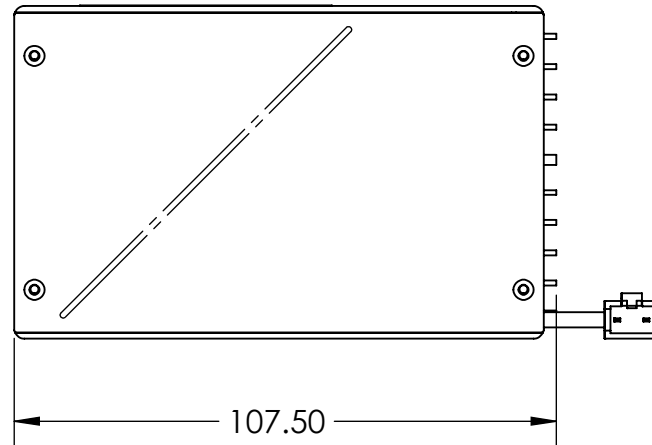
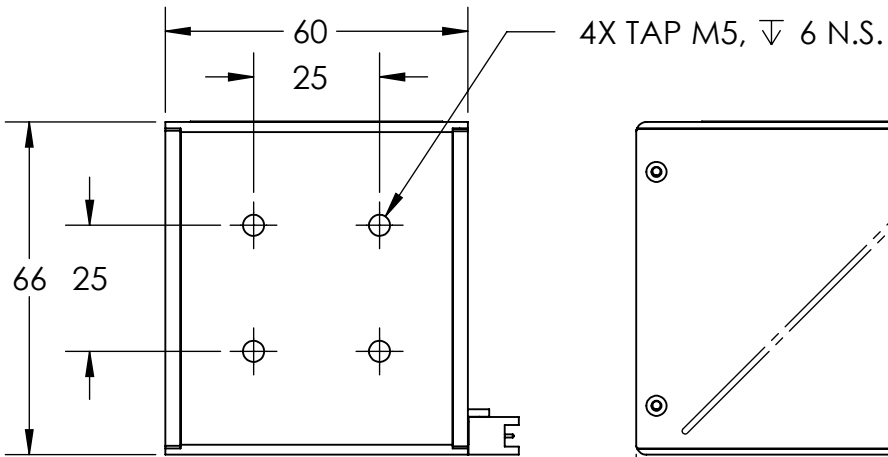
D



D



C




B

B

A

A

|  |           |            |              |                               |                      |
|--|-----------|------------|--------------|-------------------------------|----------------------|
|  | DESIGN BY | FL LUEI    | UNIT:        | PRODUCT SERIES: LT2QOG SERIES |                      |
|  | CHECK BY  | KB TAN     | MM           |                               |                      |
|  | DATE      | 07/06/2018 | REVISION:    | TITLE                         | DRAWING LAYOUT       |
|  | MATERIAL  | -          | 01           | PART NO                       | LT2QOG040-00-X-R-24V |
|  | FINISHING | -          | SCALE:       | DWG NO                        | -                    |
| QTY  | -         | 1:1        | SHEET 1 OF 1 |                               |                      |

1 2 3 4 5 6 7 8