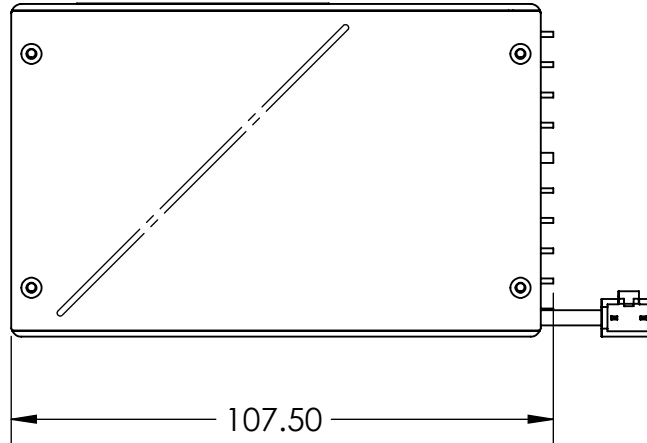
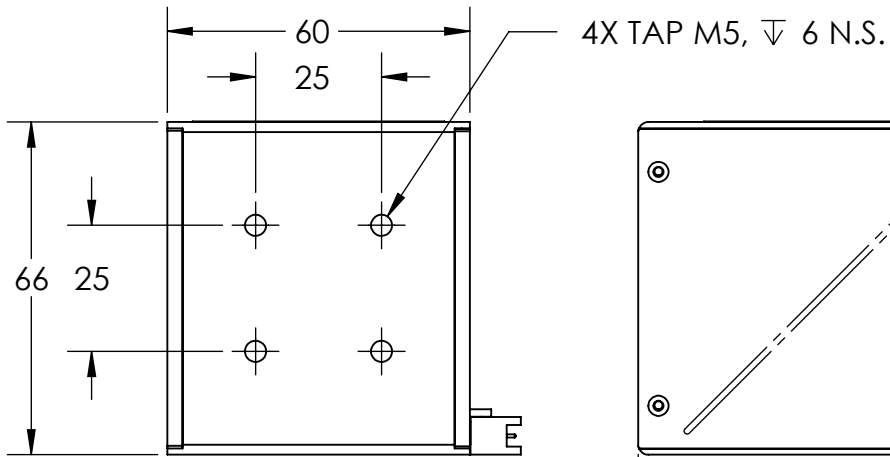
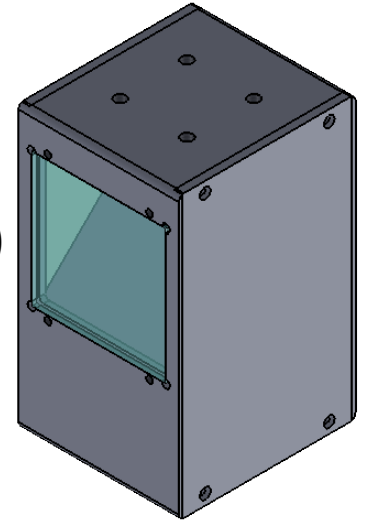
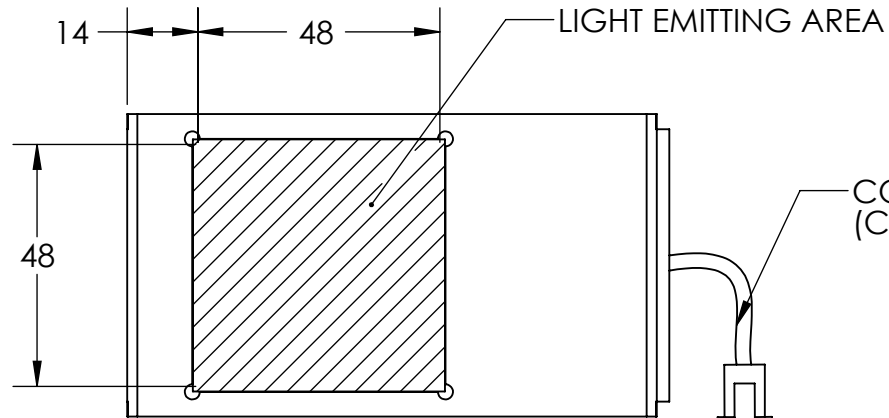



1 2 3 4 5 6 7 8



	DESIGN BY	FL LUEI	UNIT:	PRODUCT SERIES: LT2QOG SERIES	
	CHECK BY	KB TAN	MM		
	DATE	07/06/2018	REVISION:	TITLE	DRAWING LAYOUT
	MATERIAL	-	01	PART NO	LT2QOG040-00-X-G-24V
	FINISHING	-	SCALE:	DWG NO	-
QTY	-	1:1	SHEET 1 OF 1		

1 2 3 4 5 6 7 8

D

C

B

A

D

C

B

A