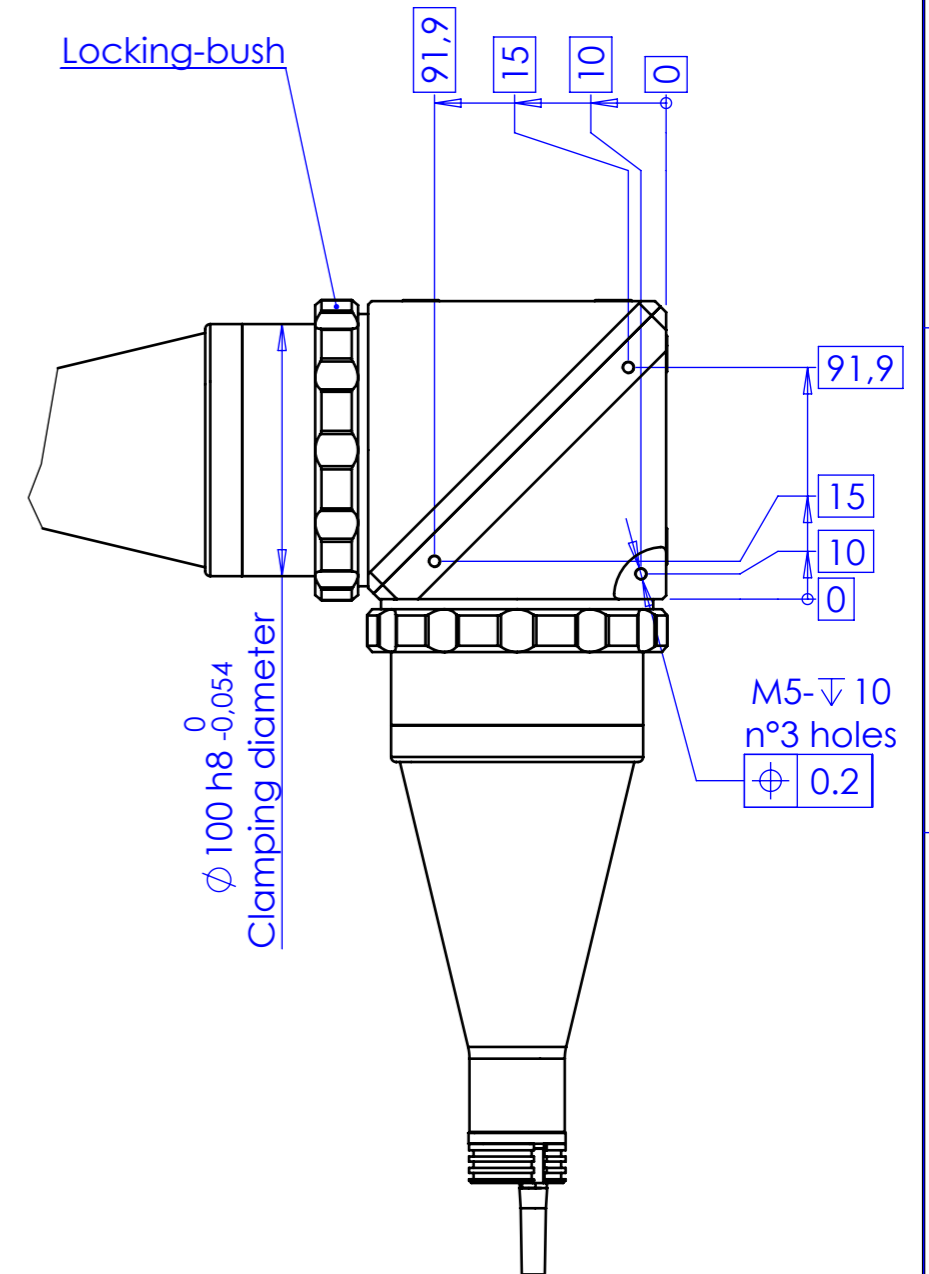
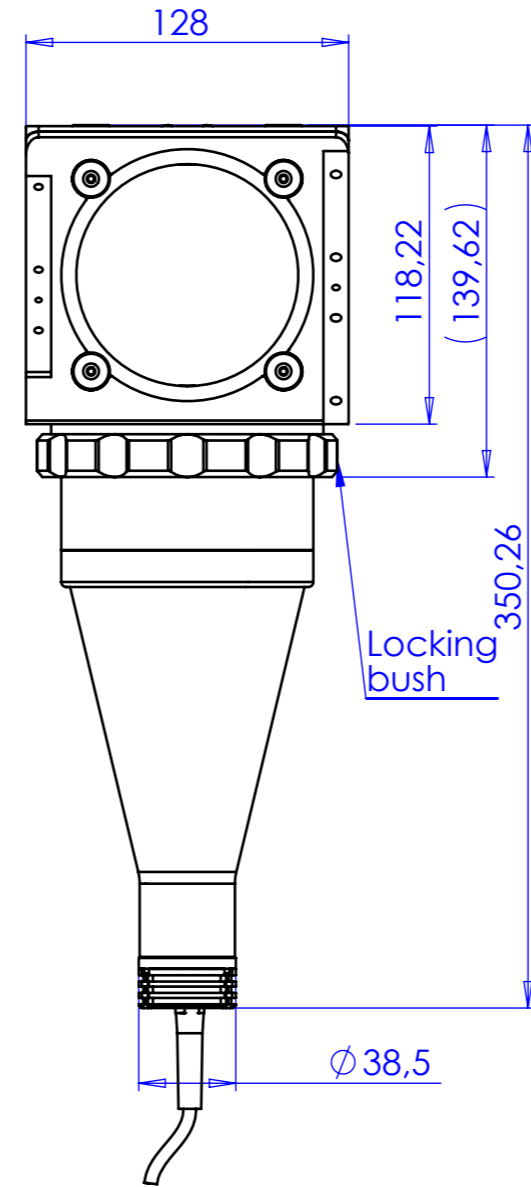
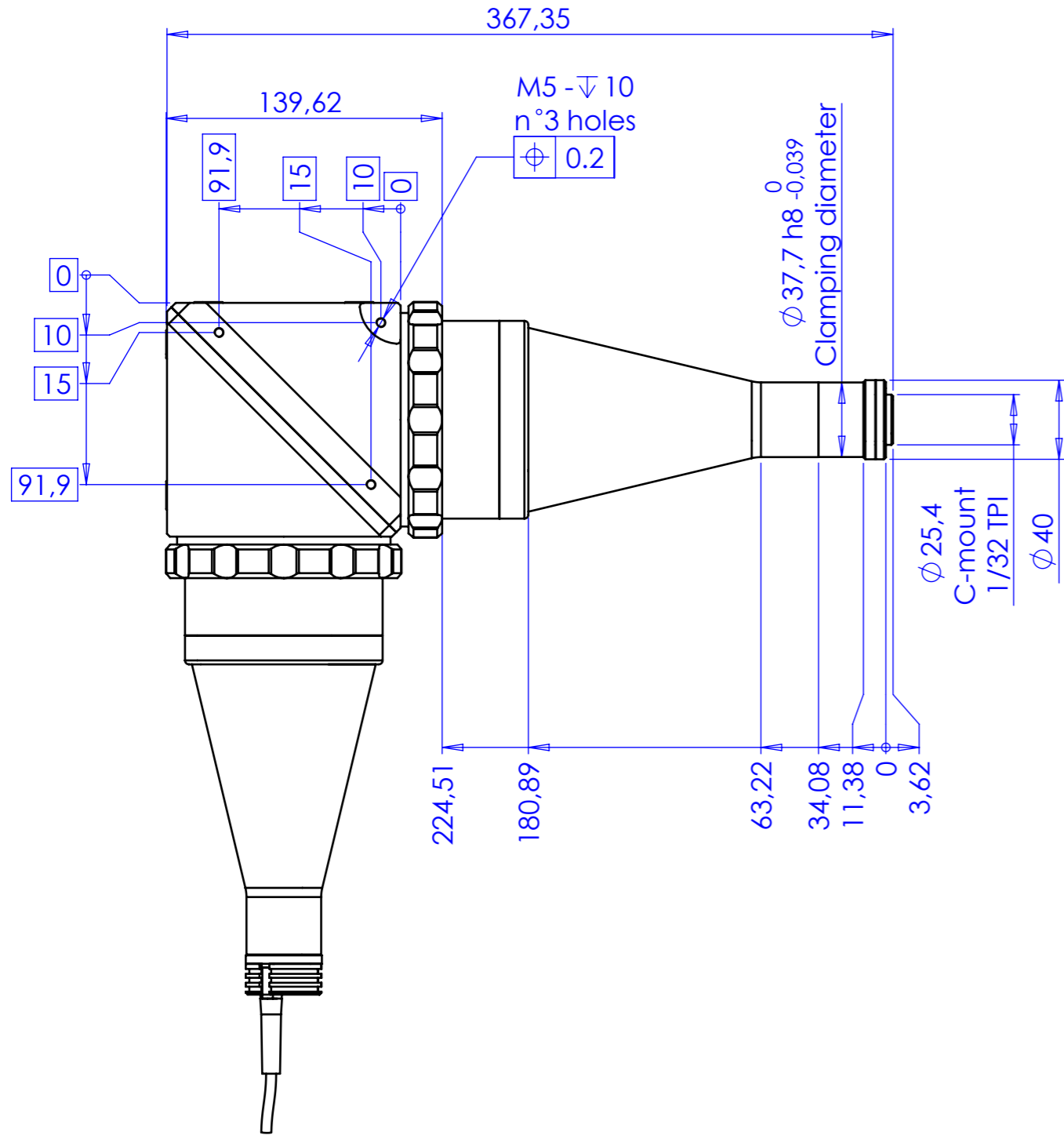


Rev No.	Description	Date	Name
B	approvazione	15/07/2014	Rodella



Material	N.A.		Mass	911 g	Scale	1:3	
Surface treatment	N.A.		Part No.	CO71662			
Geometrical tolerance (ISO 2768-2)			Class	K	Description		
Linear tolerance (ISO 2768-2)			Class	m	Undimensioned bevels	0,5x45°	
0.5	>3±	>6±	>30±	>120	>400±	>1000	
±3	6	30	120	±400	1000	±2000	
±0.1	±0.1	±0.2	±0.3	±0.5	±0.8	±1.2	
			Undimensioned radii	R 0.5			
			Date	Name		Drawing No.	
			Designed	03/07/2014	Rodella		DP 71662-B
			Drawn	04/07/2014	Rodella		
all dimensions are in mm OPTO ENGINEERING S.r.l. - Mantova Italy - Tel. +39 0376 699111 - www.opto-engineering.com			Checked			Sheet	
					1/1		
Secret and confidential - All rights reserved - No copy, dissemination or circulation is allowed unless specifically authorized in writing by OPTO ENGINEERING S.r.l. - Any violation shall be legally prosecuted.							