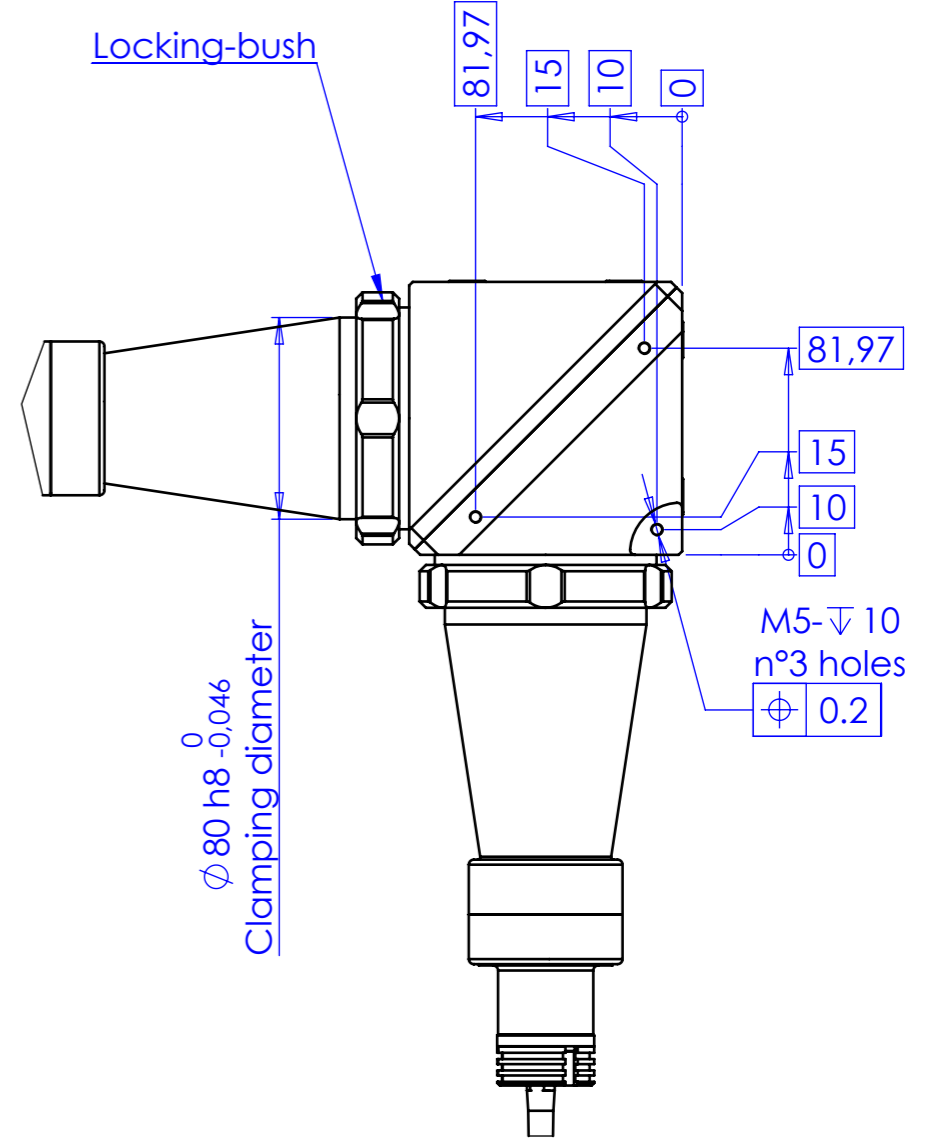
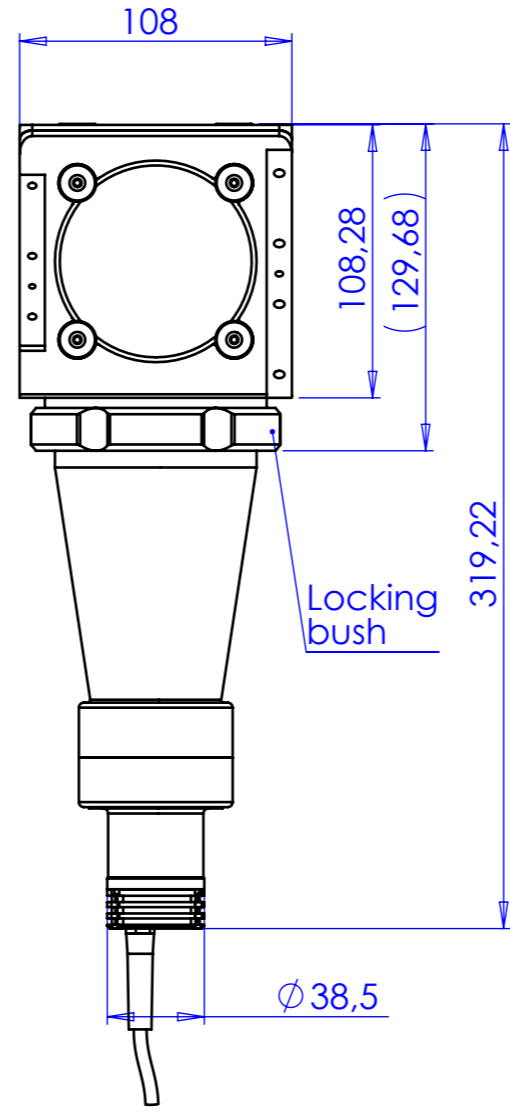
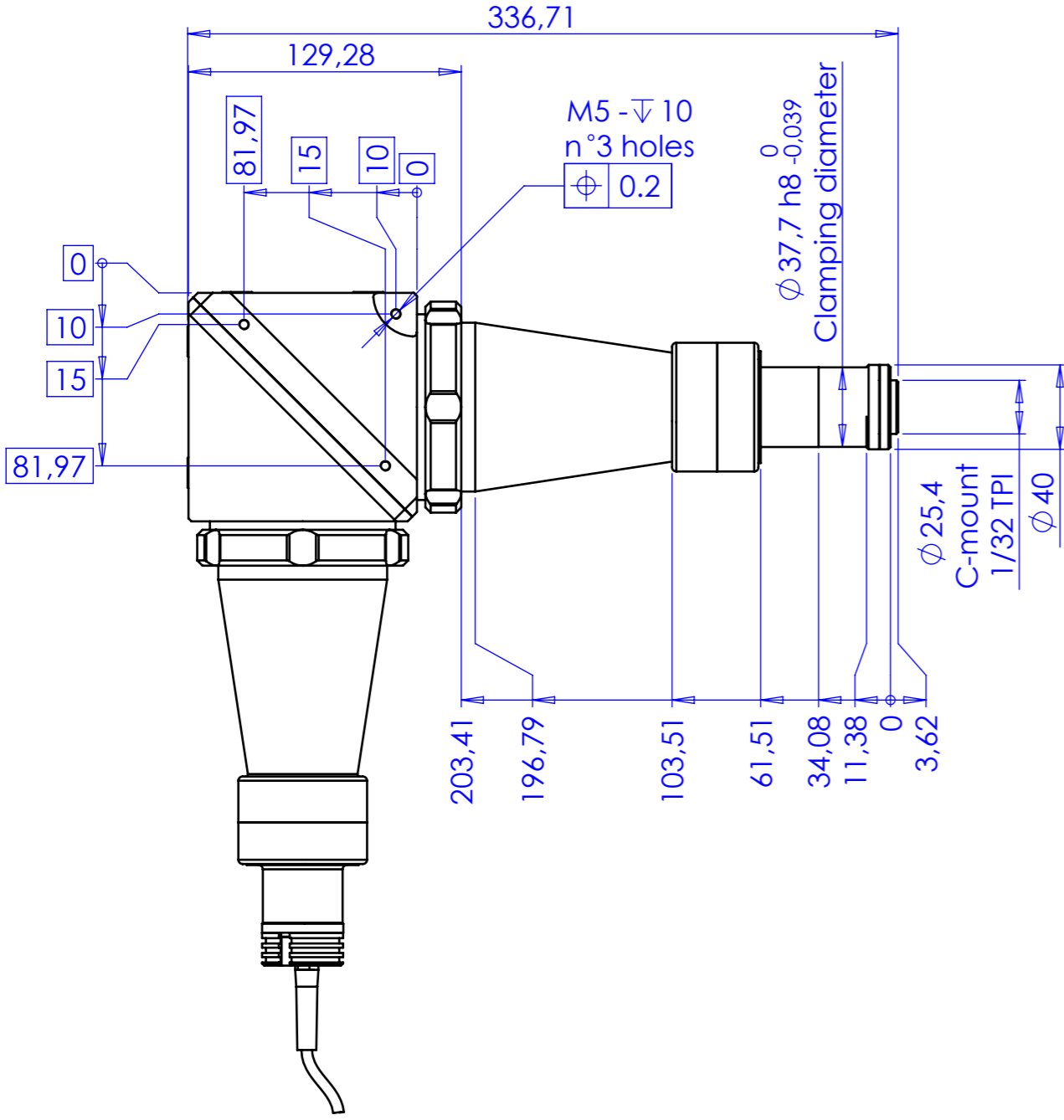


Rev No.	Description	Date	Name
B	approvazione	15/07/2014	Rodella



Material	N.A.	Mass	675 g	Scale	1:3
Surface treatment	N.A.	Part No.	CO71660		
Geometrical tolerance (ISO 2768-2)	Class	K	Undimensioned bevels	0,5x45°	Description <b>TCCXQ016-W</b>
Linear tolerance (ISO 2768-2)	Class	m	Undimensioned radii	R 0,5	
0,5 $\pm$ 3	>3± 6	>6± 30	>30± 120	>120 $\pm$ 400	>400± 1000
$\pm$ 0,1	$\pm$ 0,1	$\pm$ 0,2	$\pm$ 0,3	$\pm$ 0,5	$\pm$ 0,8
					$\pm$ 1,2
					$\pm$ 2
 <b>OPTO ENGINEERING</b> THE TELECENTRIC COMPANY <b>OPTO ENGINEERING S.r.l. - Mantova Italy - Tel. +39 0376 699111 - www.opto-engineering.com</b>	Date	Name	Drawing No.	Sheet	
	Designed	03/07/2014	Rodella	<b>DP 71660-B</b>	1/1
	Drawn	04/07/2014	Rodella		
<i>Secret and confidential - All rights reserved - No copy, dissemination or circulation is allowed unless specifically authorized in writing by OPTO ENGINEERING S.r.l. - Any violation shall be legally prosecuted.</i>					

A B C D

A B C D

1 2 3 4 5 6 7 8

0 1 2 3 4 5 6 7 8 9 10