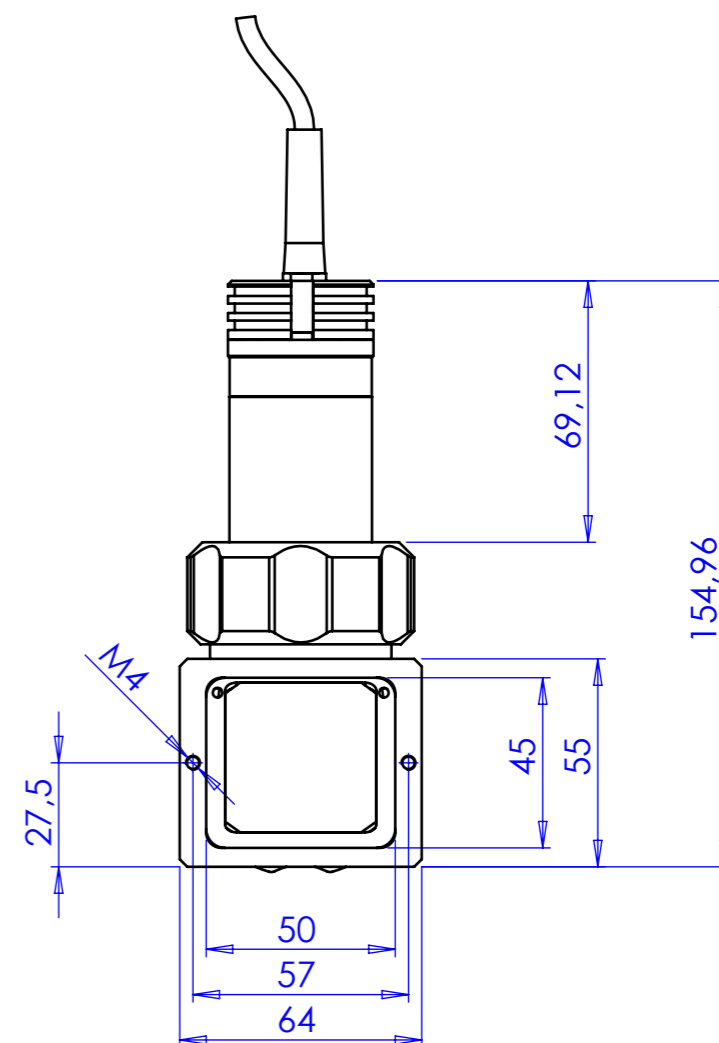
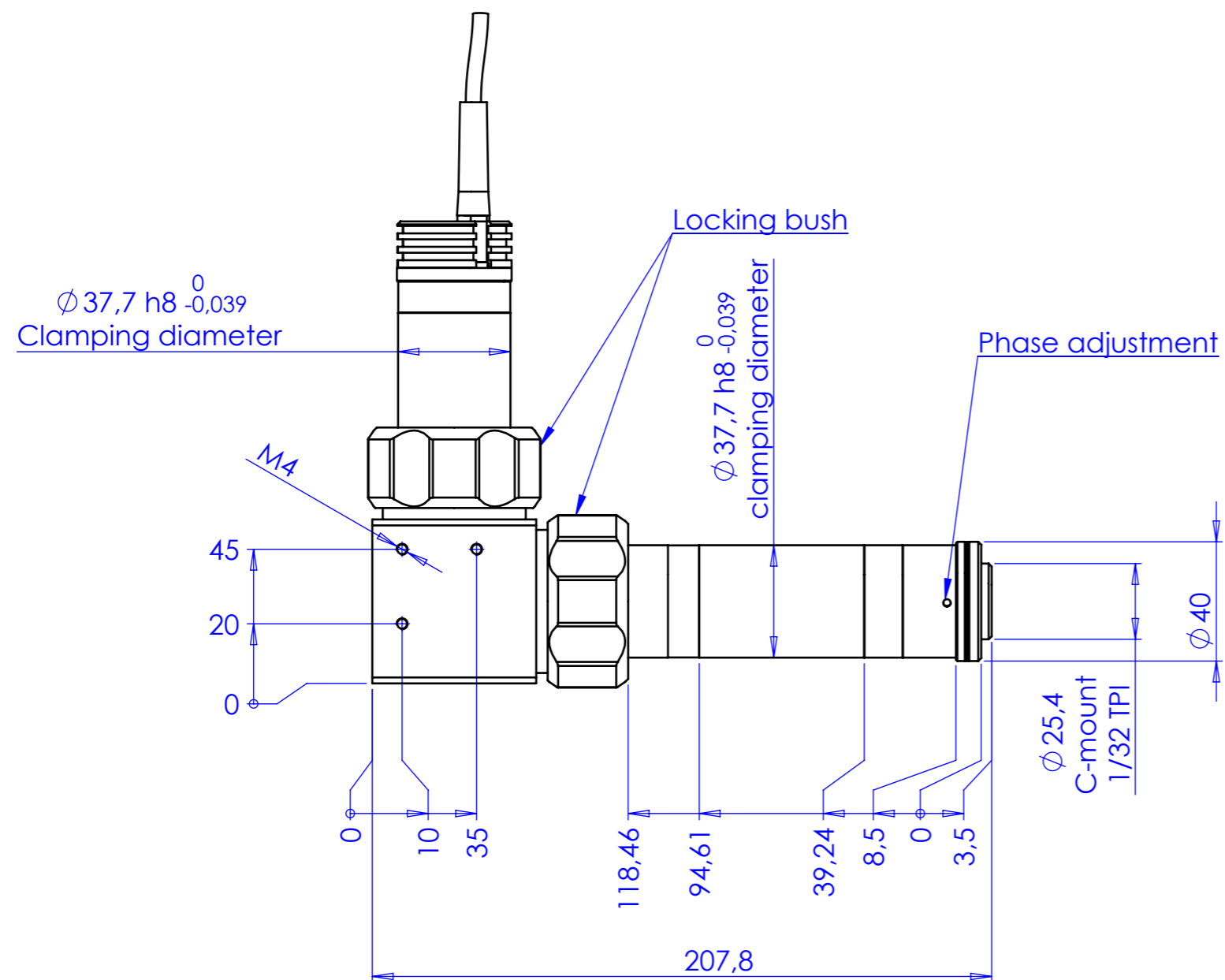


Rev No.	Description	Date	Name
B	approvazione	15/07/2014	Rodella



Material	N.A.		Mass	1034 g	Scale	1:2	
Surface treatment	N.A.		Part No.	CO71598			
Geometrical tolerance (ISO 2768-2)			Class	K	Undimensioned bevels	0,5x45°	
Linear tolerance (ISO 2768-2)			Class	m	Undimensioned radii	R 0.5	
0.5 ±3	>3± 6	>6± 30	>30± 120	>120 ±400	>400± 1000	>1000 ±2000	>2000 ±4000
±0.1	±0.1	±0.2	±0.3	±0.5	±0.8	±1.2	±2
 OPTO ENGINEERING <small>THE TELECENTRIC COMPANY</small>			Date	Name	Drawing No.	Sheet	
			Designed	03/07/2014	Rodella	DP 71598-B	1/1
			Drawn	04/07/2014	Rodella		
OPTO ENGINEERING S.r.l. - Mantova Italy - Tel. +39 0376 699111 - www.opto-engineering.com			<small>Secret and confidential - All rights reserved - No copy, dissemination or circulation is allowed unless specifically authorized in writing by OPTO ENGINEERING S.r.l. - Any violation shall be legally prosecuted.</small>				